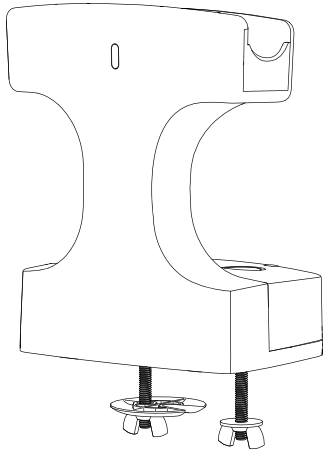
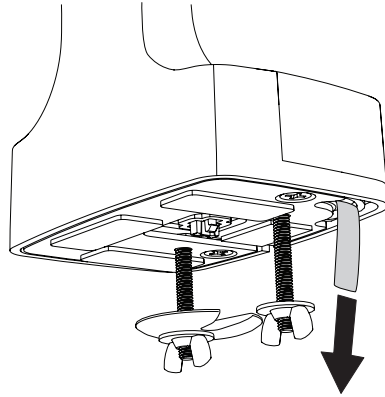


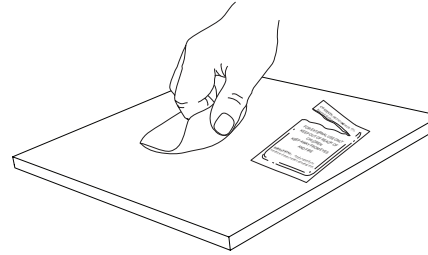
Series 950
Tall Camera Stand
EC95018



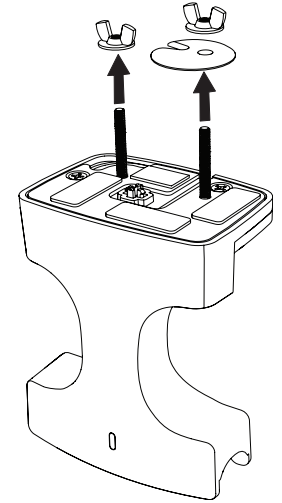
- 1** Remove white tab on alarm unit to activate battery. **Pull tab straight down.**



- 2** Wipe display counter with alcohol wipe provided. **Let it dry completely.**

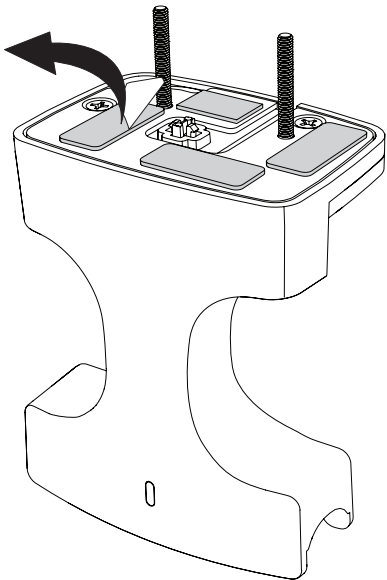


- 3** Remove wing nuts and washer from threaded screws.

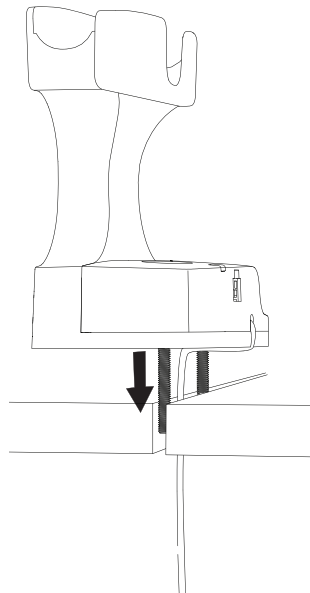


Determine installation of stand:
To mount through track in fixture, use steps 4A-4C
To mount through hole in fixture, use steps 4D-4I
To mount with adhesive only, use step 4J-4F

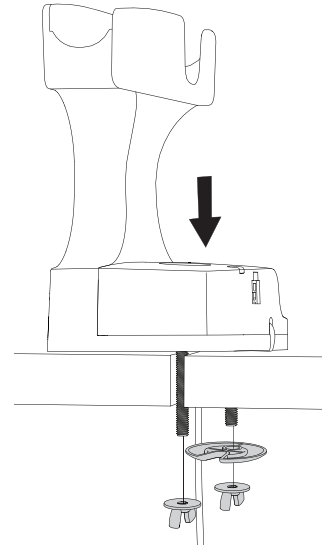
- 4a** **To mount through track in fixture:**
Optional: Remove clear film from all adhesives on bottom of alarm unit.



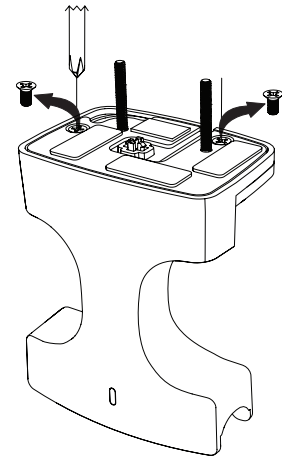
- 4b** Route power cord and threaded screws through track.



- 4c** Firmly press stand to fixture for at least 10 seconds. Below counter, attach washer to one threaded screw. Twist wing nuts to tighten both screws.

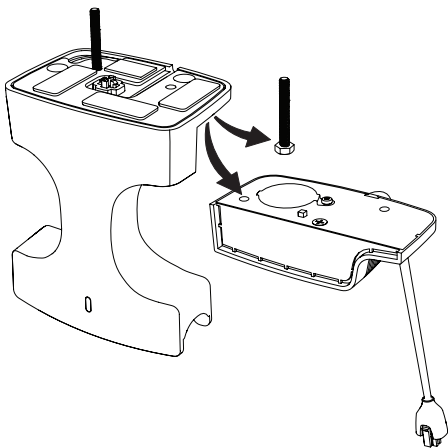


- 4d** **To mount through hole in fixture:**
Use screwdriver to remove both screws from stand.



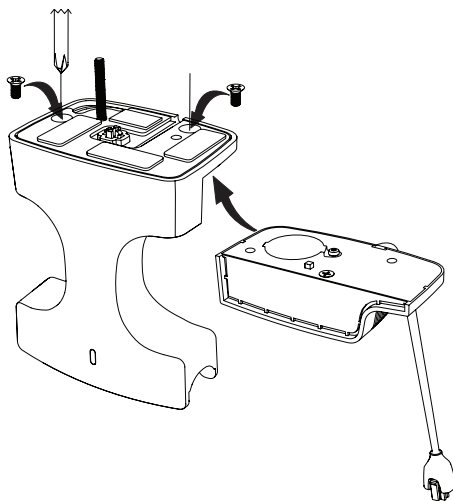
4e

Separate alarm unit from stand. Remove one threaded screw.



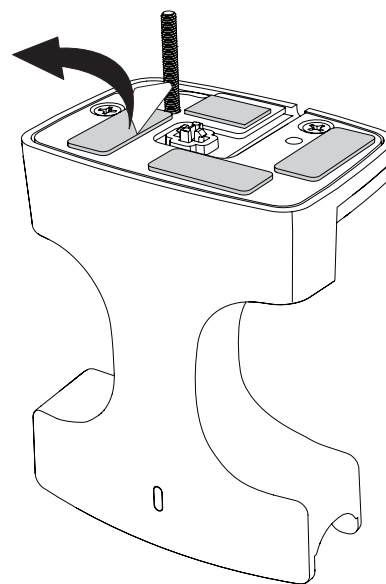
4f

Re-attach alarm unit to stand with both screws.



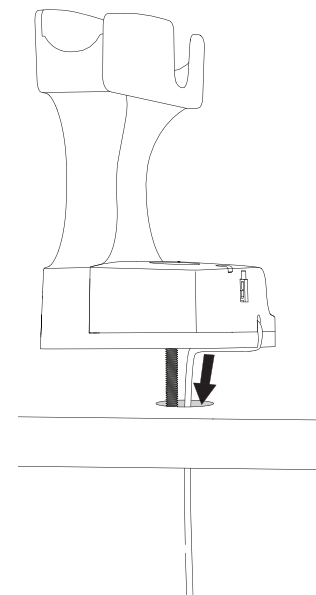
4g

Remove clear film from all adhesives on bottom of alarm unit.



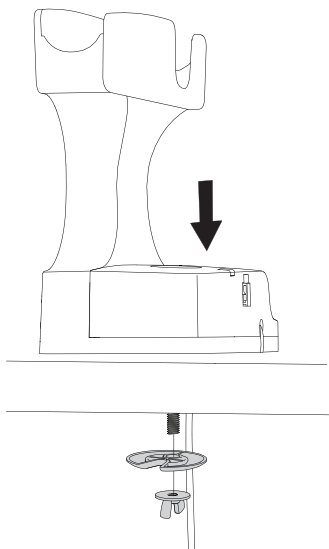
4h

Route threaded screw and power cord through hole in fixture.



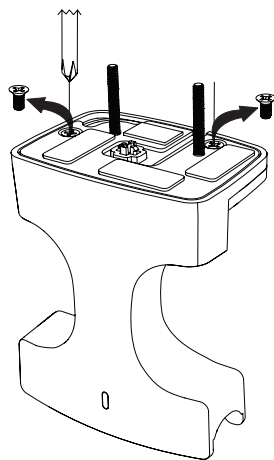
4i

Firmly press stand to fixture for at least 10 seconds. Below counter, attach washer to one threaded screw. Twist wing nuts to tighten both screws.



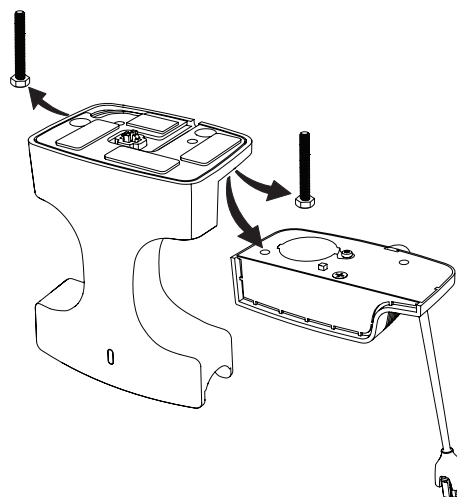
4j

To mount with adhesive only: Use screwdriver to remove both screws from stand.



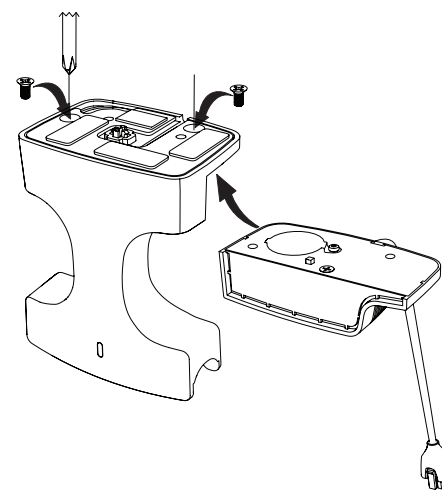
4k

Separate alarm unit from stand. Remove both threaded screws.

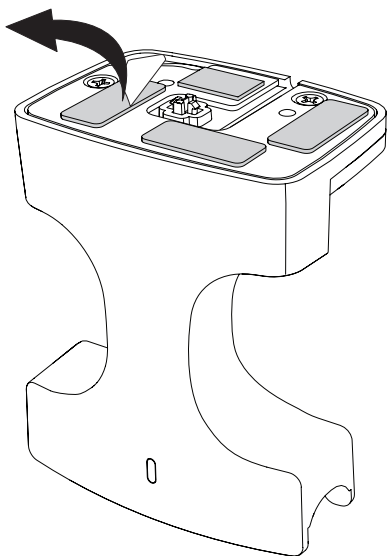


4l

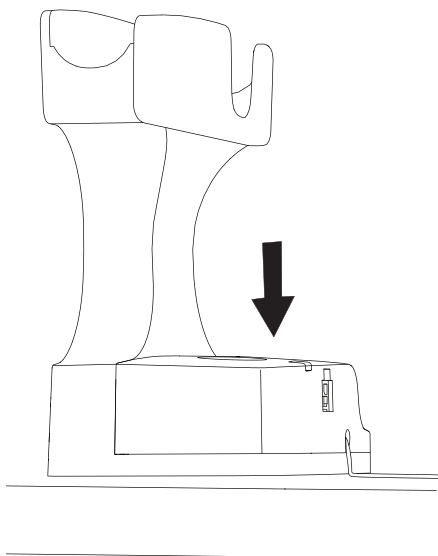
Re-attach alarm unit to stand with both screws.



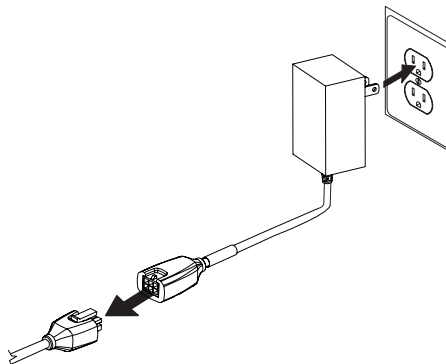
- 4e Remove clear film from all adhesives on bottom of alarm unit.



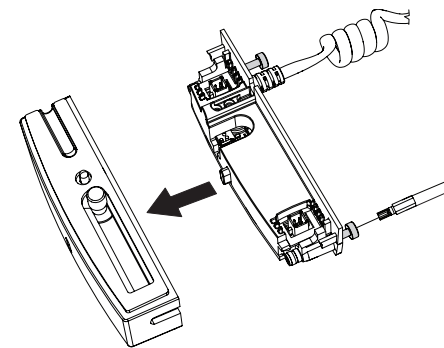
- 4f Route power cord through fixture or along back of fixture. Firmly press stand to fixture for at least 10 seconds.



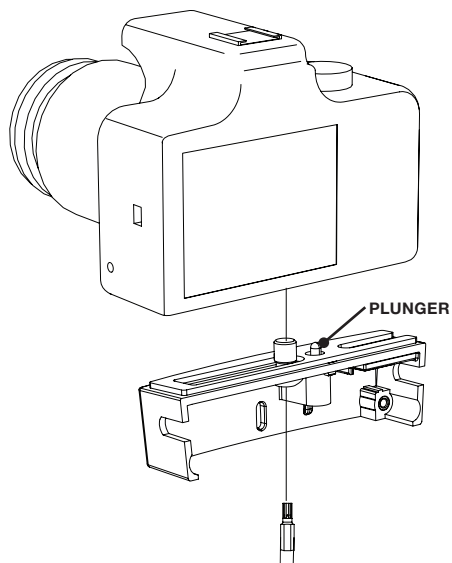
- 5 Plug 18 Volt Power Supply into power cord and into outlet.



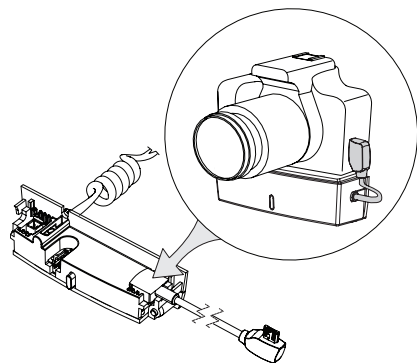
- 6 Loosen screw on sensor with T-20 bit. Pull sensor apart.



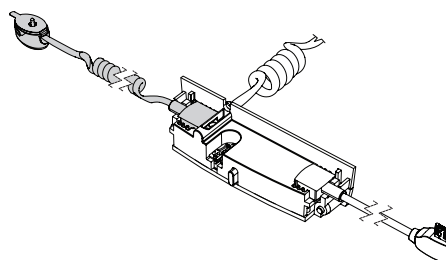
- 7 Attach camera to sensor. Center and tighten screw with T-20 bit. Confirm plunger is completely depressed.



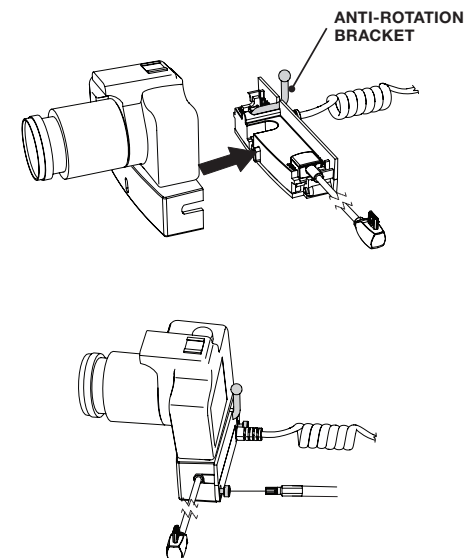
- 8 Plug power connector into sensor port closest to camera power plug. **Note:** There are 2 ports power connector can be plugged into.



- 9 **Optional:** Plug lens sensor into camera port (opposite power connector).

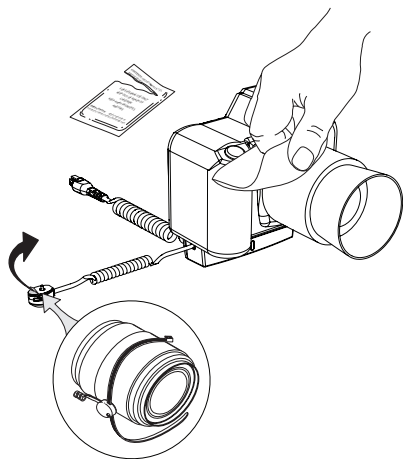


- 10 Choose correct size anti-rotation bracket and place into groove in sensor. Slide sensor together to confirm bracket is up against back of camera. Tighten screws with T-20 bit.



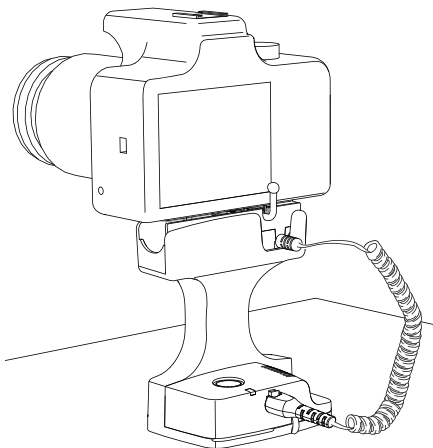
11

Wipe lens with alcohol wipe provided. Let it dry completely. Plug lens sensor into camera sensor. Remove clear film from lens sensor, press firmly onto camera lens and tighten onto lens with zip tie. Place lens sensor towards top of lens.

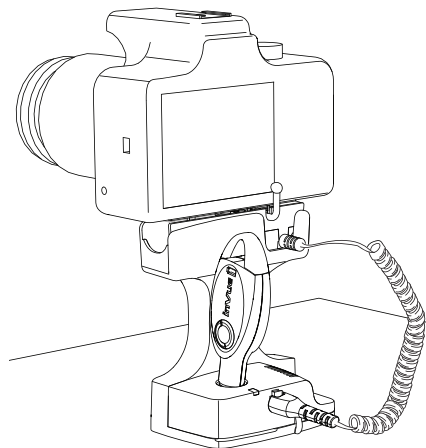


12

Place sensor into stand. Plug sensor into alarm unit.



To arm/disarm: Place IR key onto IR lens on alarm unit. Press button once to arm or disarm system.



SD0295 Rev0 12/22/15

inVUE

www.invue.com

NA / LATAM // 704.752.6513 • 888.55.INVUE

EMEA // +31.23.8900150

APAC // +852.3127.6811

© 2015 InVue Security Products Inc. All rights reserved.
InVue is a registered trademark of InVue Security Products.