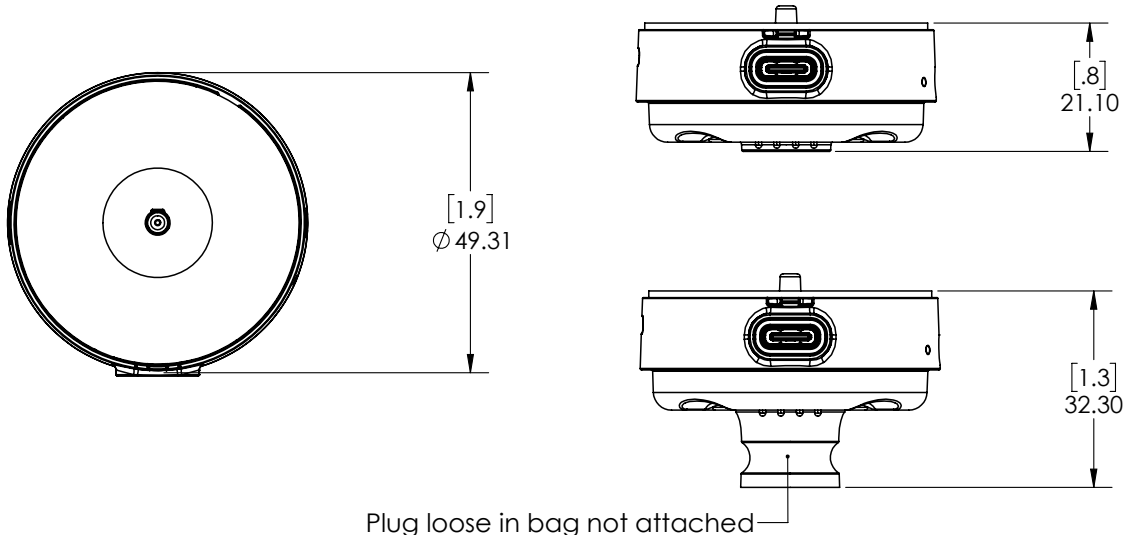


OnePOD Wireless / Technical Specifications

SPECIFICATIONS

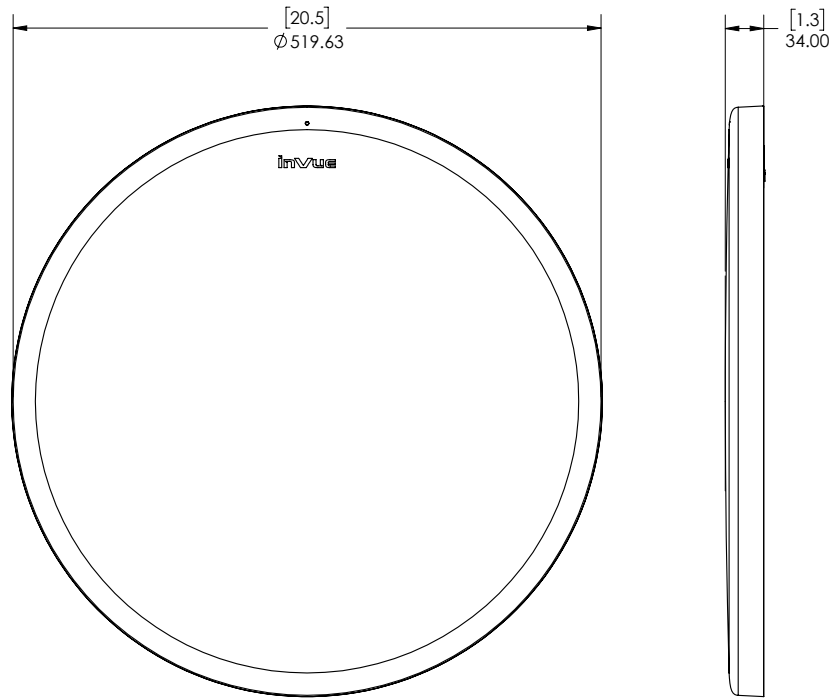
OnePOD Wireless Sensor with Stand Cover (DBD700):



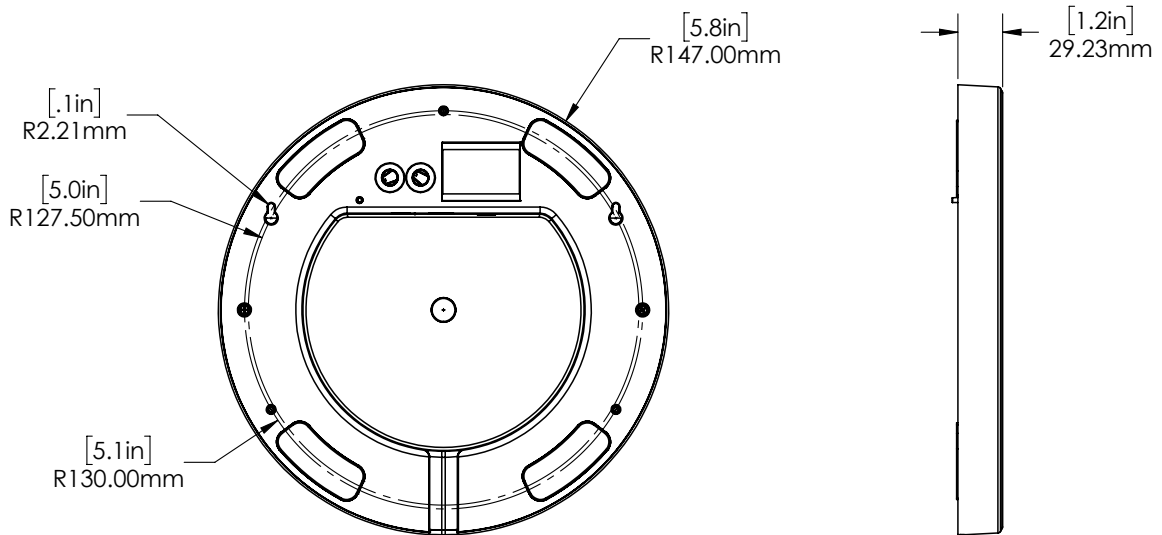
OnePOD Wireless / Technical Specifications

SPECIFICATIONS

Wireless Exclusion Zone Manager - 52 cm diameter (DBD701):



Wireless Zone Manager - 30 cm diameter (DBD702):



OnePOD Wireless / Technical Specifications

ONEPOD WIRELESS

ORDER CODE	DESCRIPTION	NOTES
DBD700-B	OnePOD Wireless Sensor with Stand Cover	Black
DBD700-W	OnePOD Wireless Sensor with Stand Cover	White
DBD703	LED Emitter Dongle for OnePOD Wireless	

ZONE MANAGER

ORDER CODE	DESCRIPTION	NOTES
DBD701	Wireless Exclusion Zone Manager (52 cm diameter)	Requires YLRC & YC*
DBD702	Wireless Zone Manager (30 cm diameter)	Inclusion/Exclusion Requires YLRC & YC*
YLR52	5.3VDC/6.5A Power Supply	
YC3	C14 AC Cable DIB/PIB - US	
YC6	C14 AC Cable DIB/PIB - EU	
YC9	C7 AC Power Cable - US	
YC10	C7 AC Power Cable - UK	
YC11	C7 AC Power Cable - EU	
YC12	C7 AC Power Cable - AU	
YC14	C7 AC Power Cable - JP	



OnePOD Wireless / Technical Specifications

ONEPOD WIRELESS CONFIGURATION

Sensors can be applied to any existing OnePOD display that uses a sensor (ie. One40, One55, One60, or One65) by replacing the existing sensor with the DBD700 Wireless Sensor and Stand Cover.

To set up OnePOD Wireless without an existing display the following parts are needed:

- › OnePOD Stand (One40, One55, One60, or One65)
- › OnePOD Power Connector
- › OnePOD Wireless Sensor and Stand Cover
- › Optional - OnePOD Wireless LED Emitter Dongle
- › Optional - 4.0mm 4way Bracket Arms

ONE60 - EXAMPLE CONFIGURATION

ORDER CODE	DESCRIPTION	NOTES
DBD160-W	One60 Basic Angled Stand	
DBH500-W	One55/One65/One60 HH USB Micro Pwr Connector	
DBH298-W	OnePOD 4.0 mm 4Way HH Bracket and Plate	Optional
DBD700-W	OnePOD Wireless Sensor with Stand Cover	
DBD703	LED Emitter Dongle for OnePOD Wireless	Optional
PS531-US PS531-UK PS531-EU PS531-AUS PS531-KR PS531-JPN	5V, 3A (5 Pin) Power Supply	
PS535	5 Pin - PD Enabled Power Supply	

©2020 InVue. No endorsement of InVue products has been made by any of the manufacturers of the products shown. Product is sold pursuant to InVue's warranty which can be found at www.invue.com/warranty.

THE AMERICAS 704.752.6513 • 888.55.INVUE

EUROPE, MIDDLE EAST & AFRICA +31.23.8900150

ASIA PACIFIC +852.3127.6811