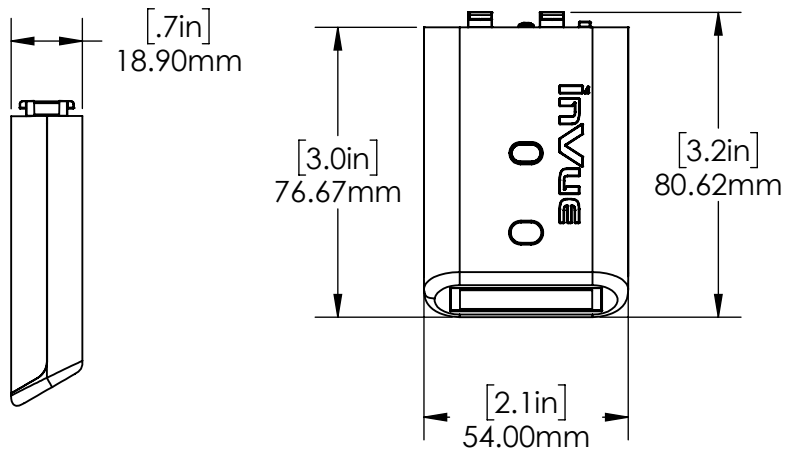


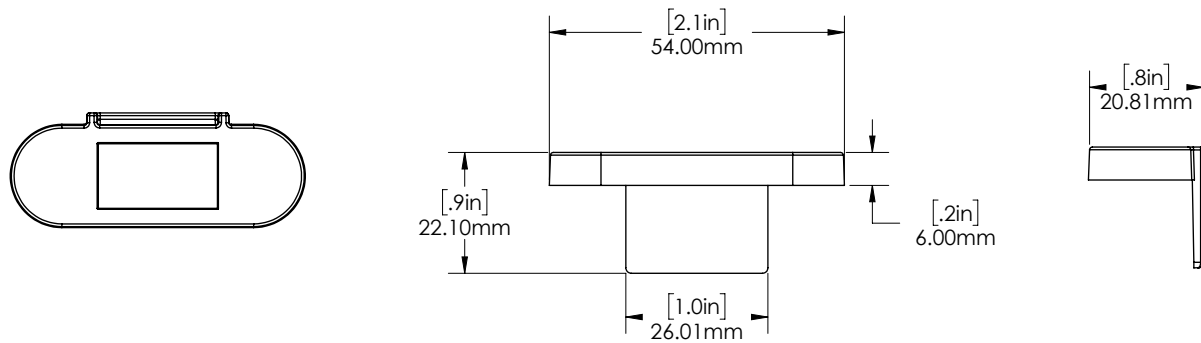
OSA Sensor / Technical Specifications

SPECIFICATIONS

LIVE OSA Sensor, US902-928 (AV1000, AV1001, AV1006):



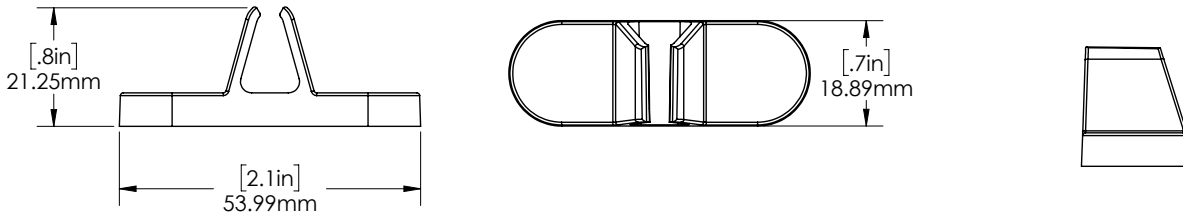
LIVE OSA Sensor, General PSA Adapter (AV1101):



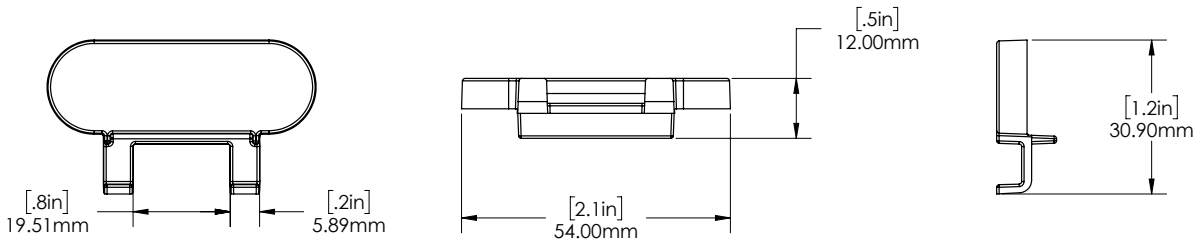
OSA Sensor / Technical Specifications

SPECIFICATIONS

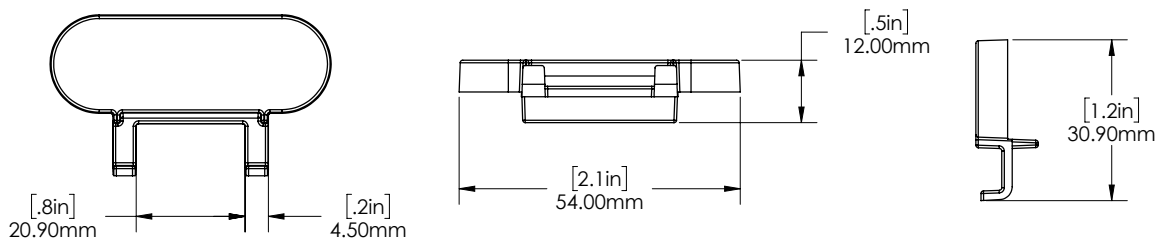
LIVE OSA Sensor, Hanging Adapter (AV1102):



LIVE OSA Sensor, Pegboard Adapter - US (AV1103):



LIVE OSA Sensor, Pegboard Adapter - EU (AV1104):



OSA Sensor / Technical Specifications

OSA SENSOR

ORDER CODE	DESCRIPTION
AV1000	LIVE OSA Sensor, US902-928
AV1001	LIVE OSA Sensor, EU863-870
AV1006	LIVE OSA Sensor, AS923
AV1101	General PSA Adapter, OSA Sensor
AV1102	Hanging Adapter, OSA Sensor
AV1103	Pegboard Adapter, US, OSA Sensor
AV1104	Pegboard Adapter, EU, OSA Sensor

LIVE NETWORK

ORDER CODE	DESCRIPTION	NOTES
LI6000	LIVE Annual License Fee	Per Position

All InVue LIVE products will need the Annual License and a LoRaWAN Gateway to operate.

©2020 InVue. No endorsement of InVue products has been made by any of the manufacturers of the products shown. Product is sold pursuant to InVue's warranty which can be found at www.invue.com/warranty.

THE AMERICAS 704.752.6513 • 888.55.INVUE
EUROPE, MIDDLE EAST & AFRICA +31.23.8900150
ASIA PACIFIC +852.3127.6811

