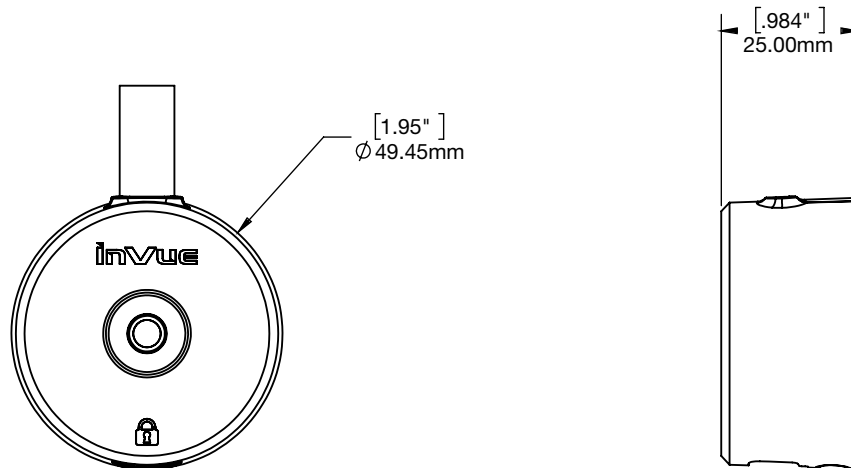
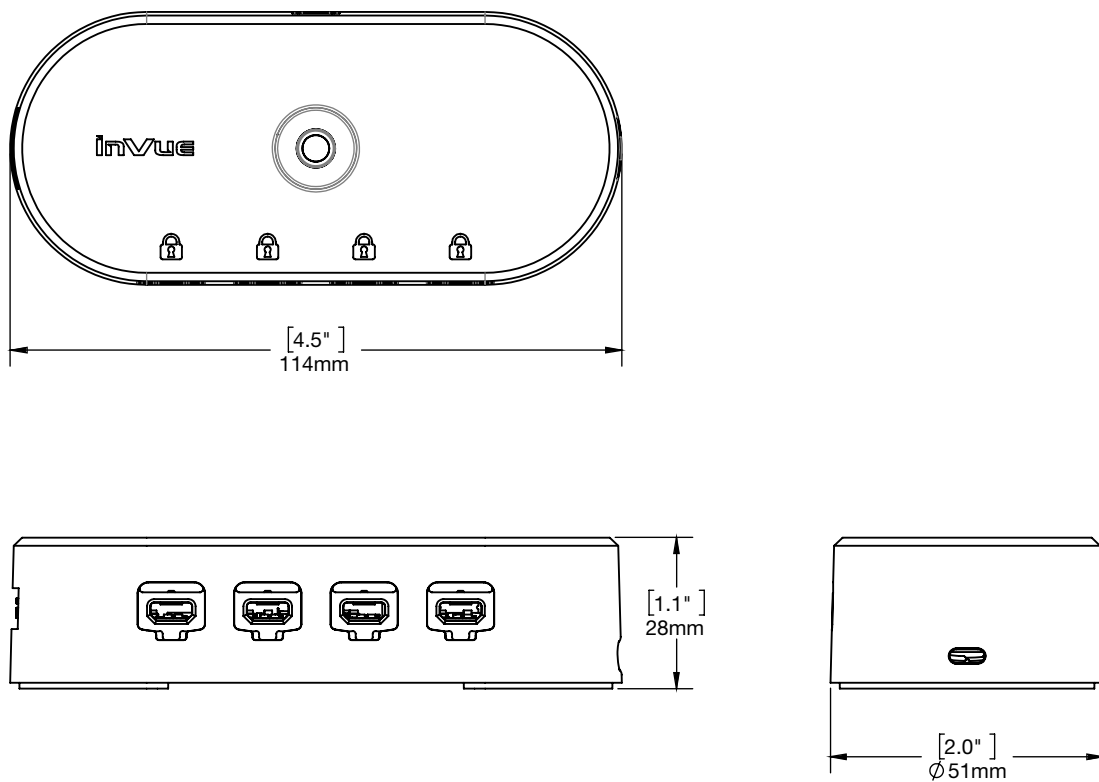


## SPECIFICATIONS

SINGLE PORT ALARM UNIT (ZB1000):

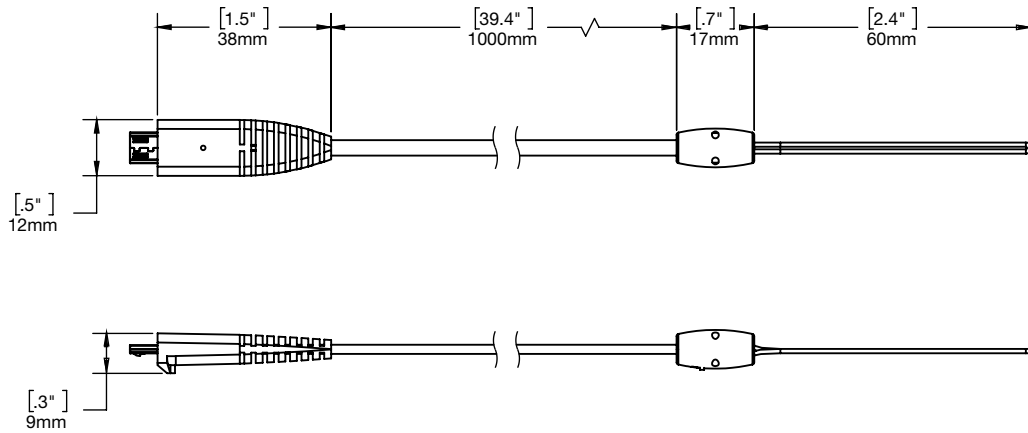


4-PORT ALARM UNIT (ZB1001):

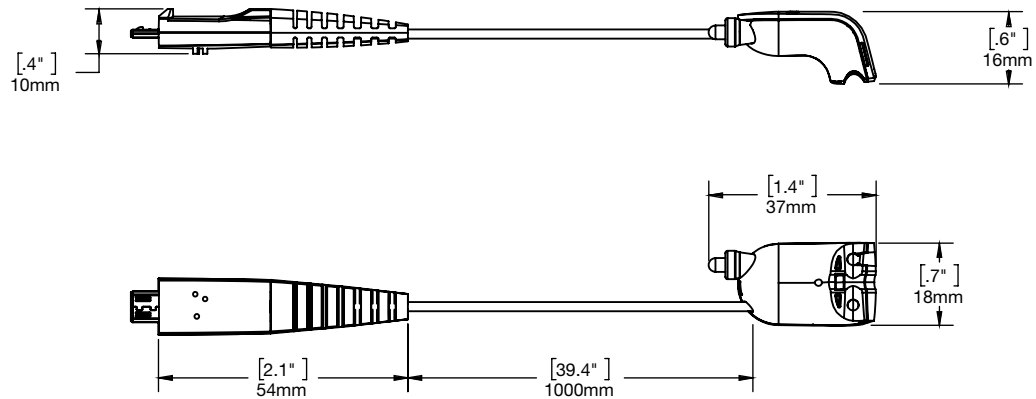


**SPECIFICATIONS**

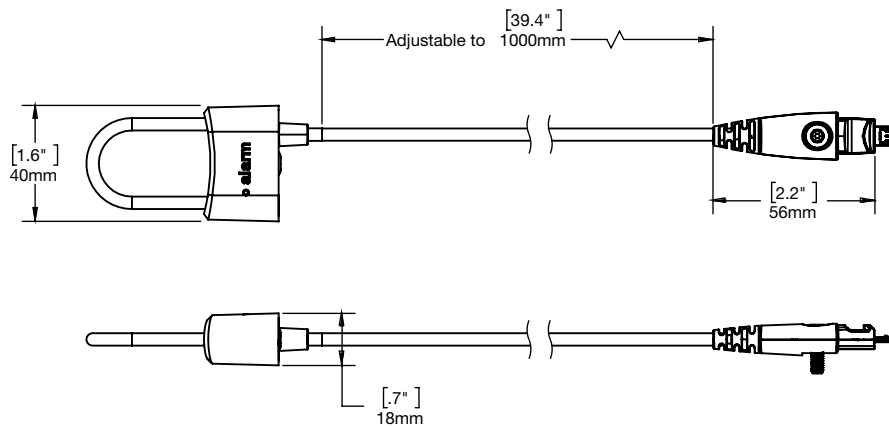
NON-ADJUSTABLE NOOSE-LOOP SENSOR (ZB2000):



ADJUSTABLE NOOSE SENSOR (ZB2001):

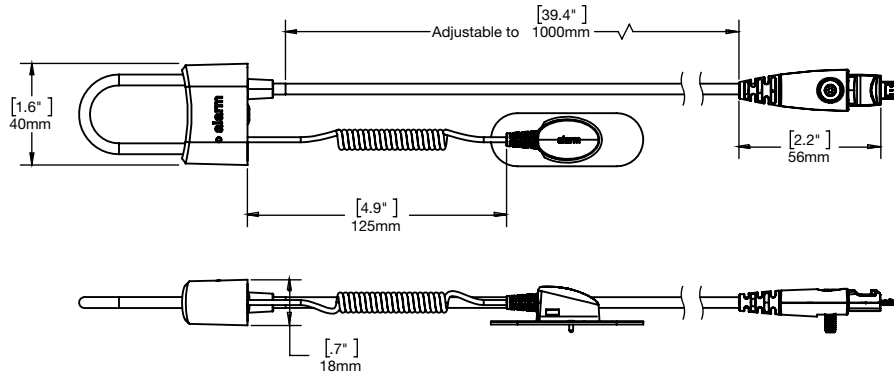


HIGH SECURITY ADJUSTABLE NOOSE SENSOR (ZB2002):

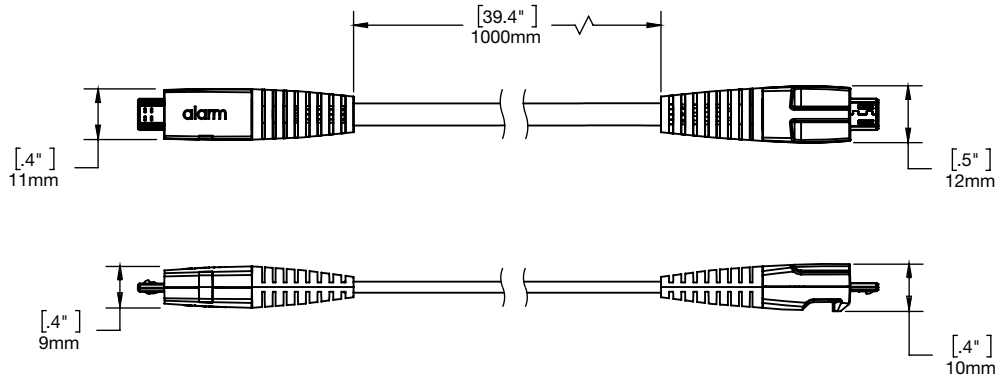


**SPECIFICATIONS**

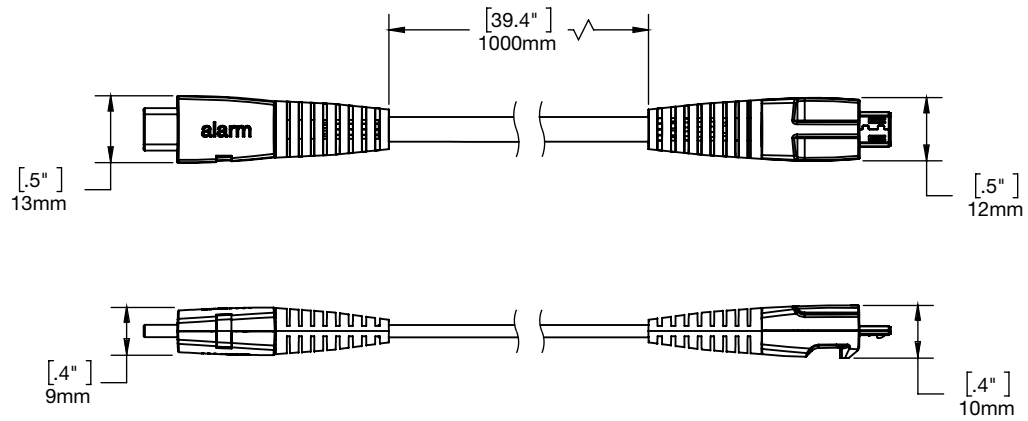
HS SENSOR WITH SECONDARY SENSOR (ZB2003):



POWERED MICRO-USB SENSOR (ZB2004):

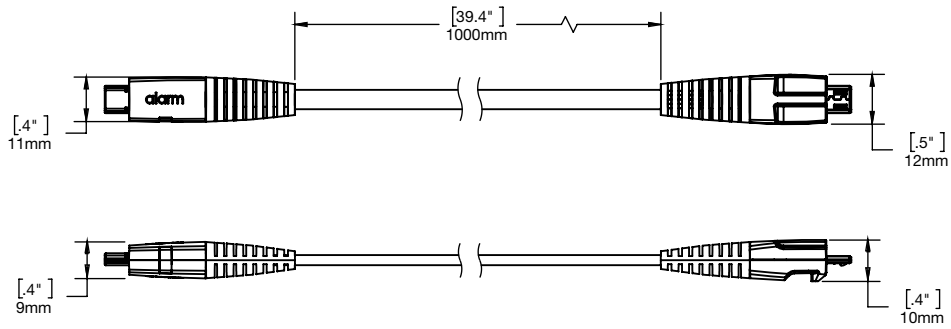


POWERED USB-C CABLE SENSOR (ZB2005):

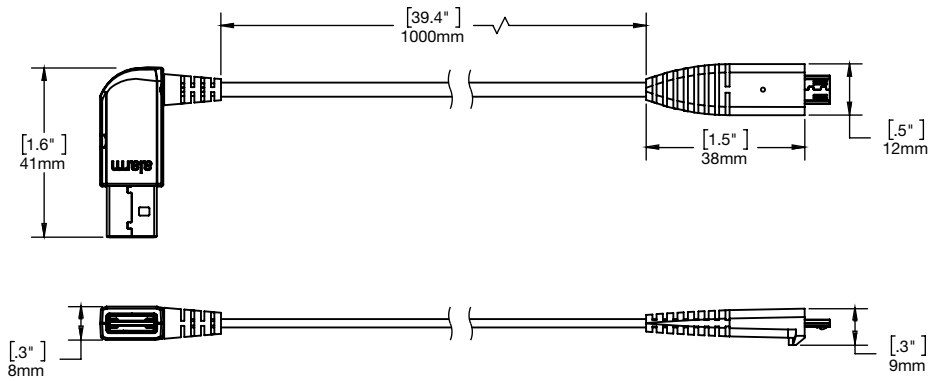


## SPECIFICATIONS

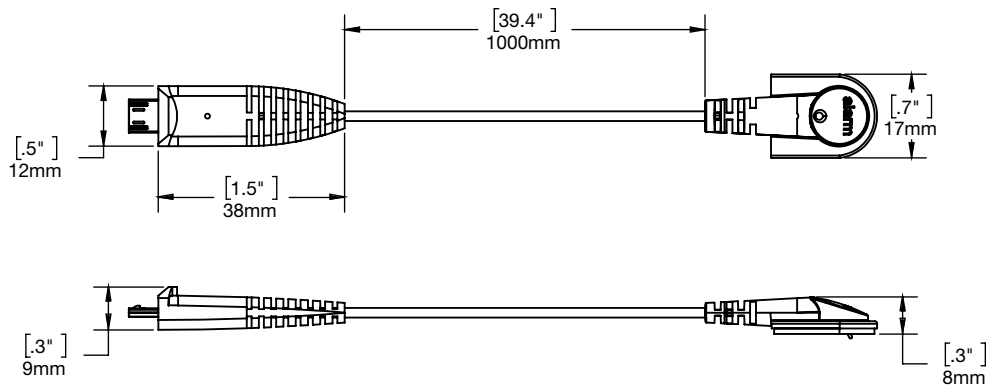
### POWERED USB-MINI SENSOR (ZB2006):



### NON-POWERED USB-A SENSOR (ZB2007):

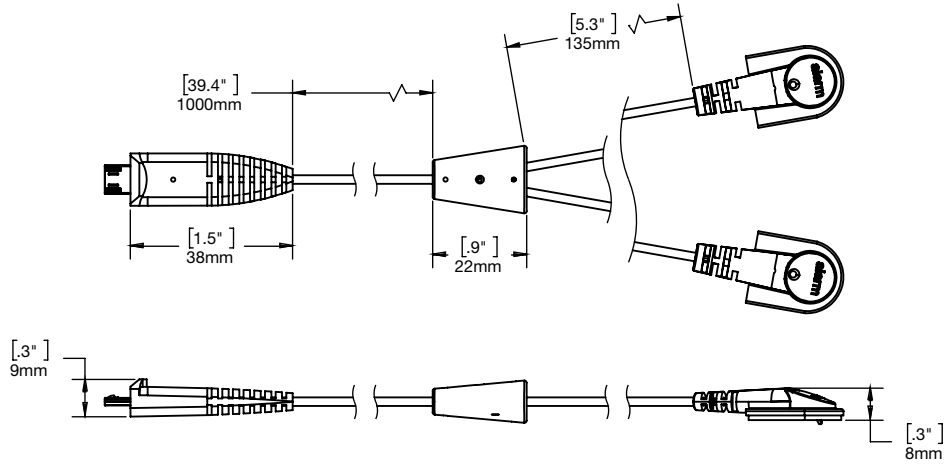


### MICRO PLUNGER SENSOR (ZB2008):

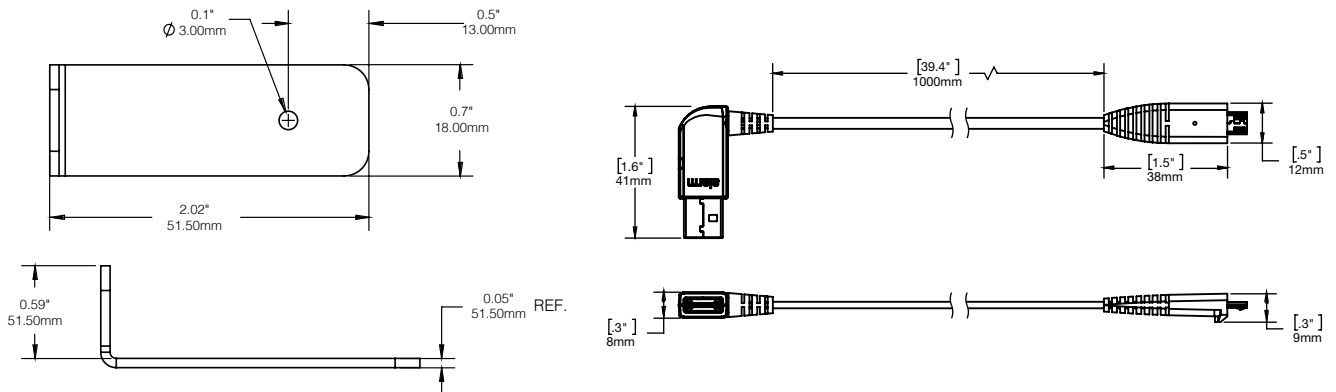


**SPECIFICATIONS**

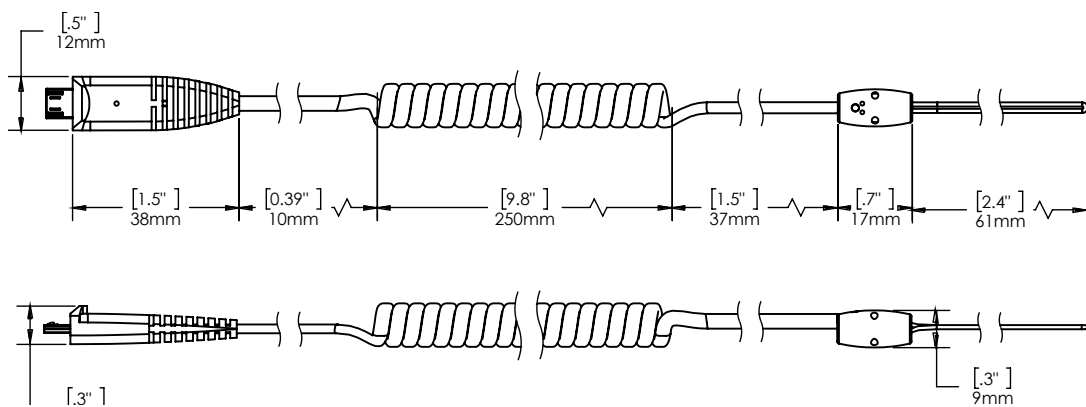
DUAL MICRO PLUNGER SENSOR (ZB2009):



ZIPS LAPTOP SENSOR STRAIGHT CABLE (ZB2016):

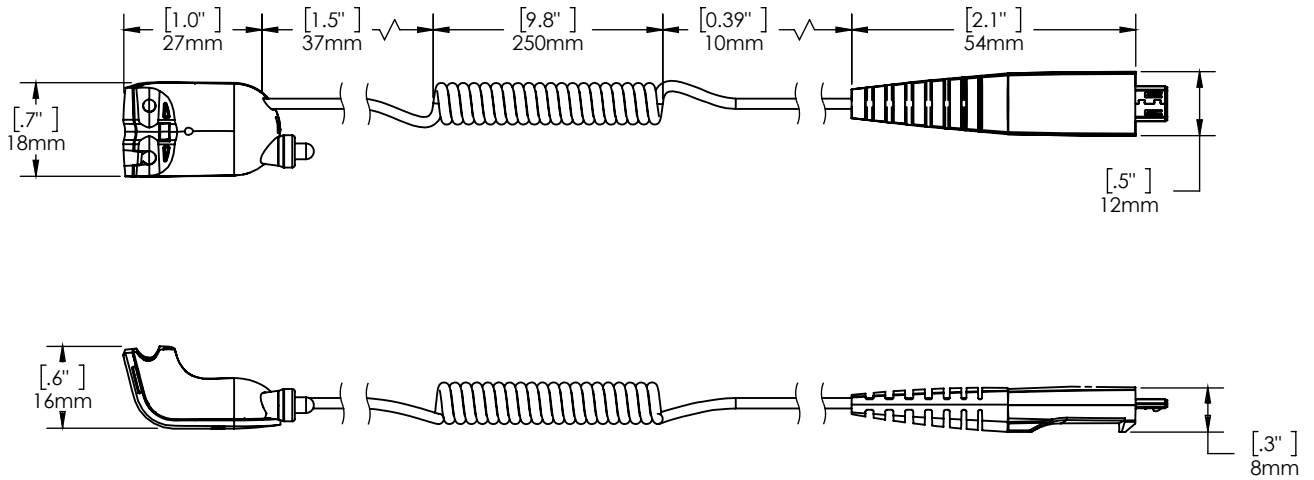


NON-ADJUSTABLE NOOSE SENSOR WITH COILED CABLE (ZB2017):

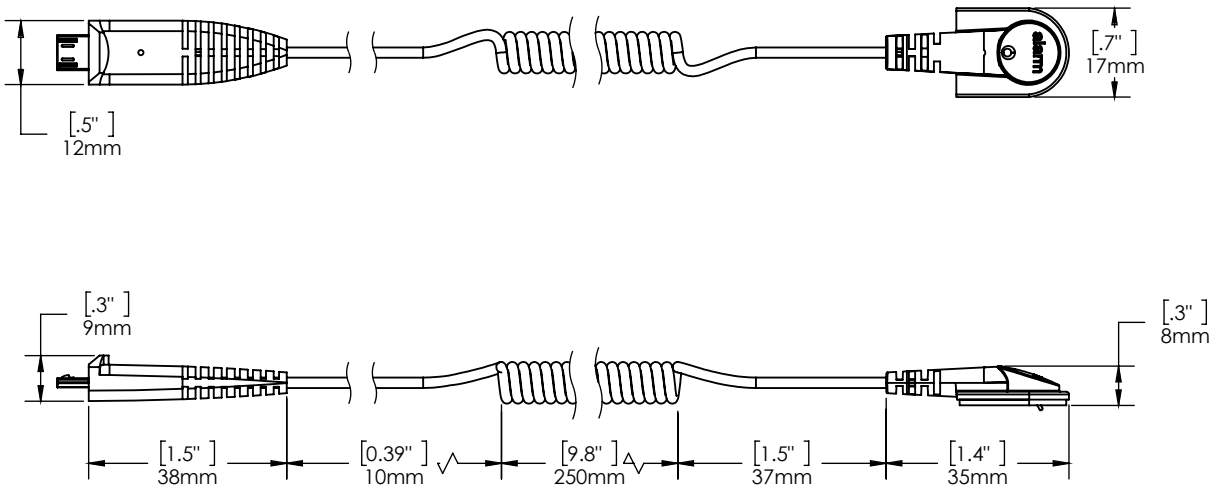


**SPECIFICATIONS**

ADJUSTABLE NOOSE SENSOR WITH COILED CABLE (ZB2018):

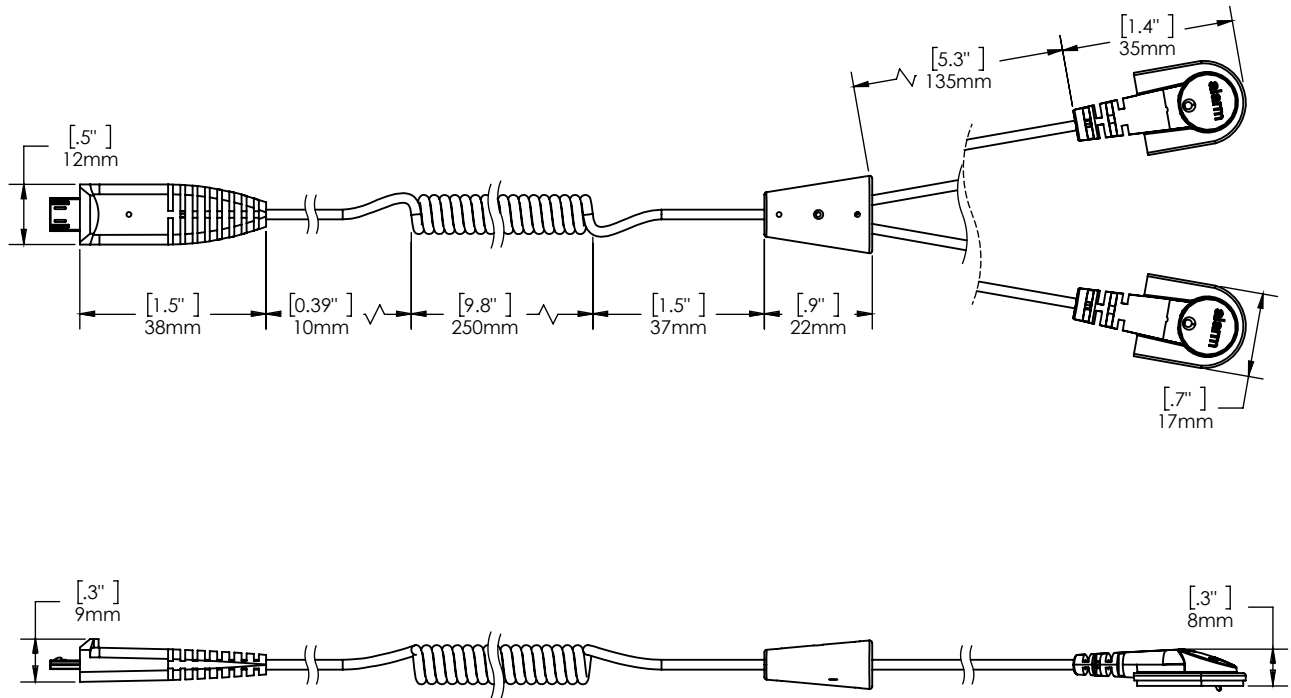


SINGLE MICRO PLUNGER SENSOR WITH COILED CABLE (ZB2019):

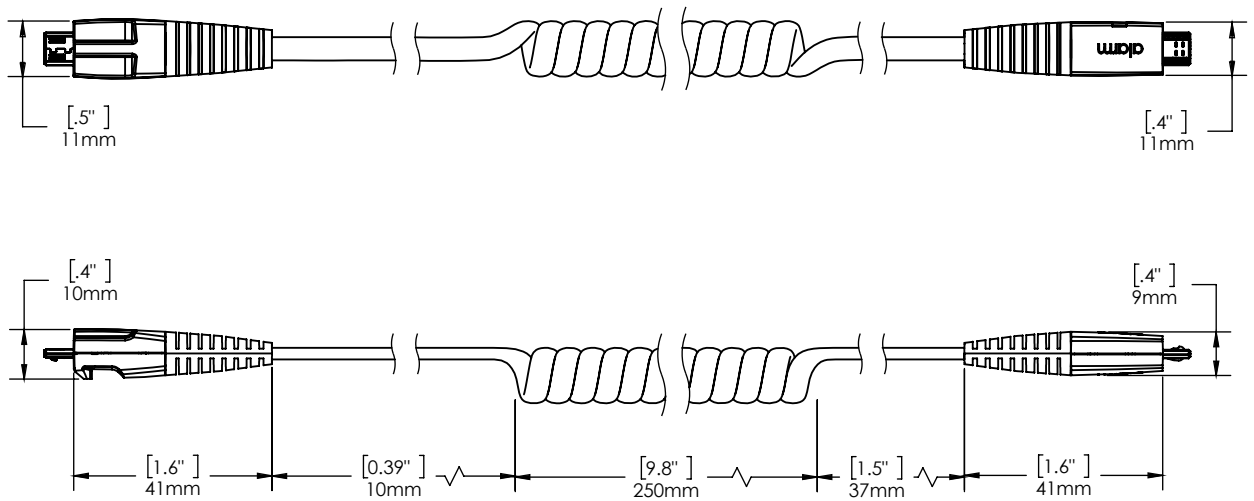


**SPECIFICATIONS**

DUAL MICRO PLUNGER SENSOR WITH COILED CABLE (ZB2020):

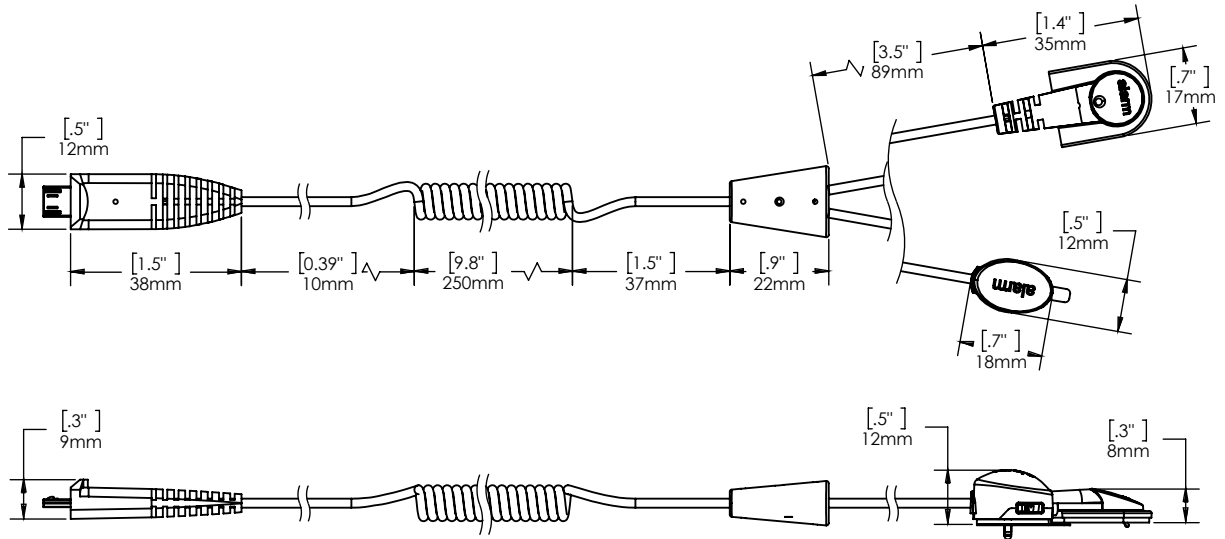


POWERED MICRO USB SENSOR WITH COILED CABLE (ZB2021):

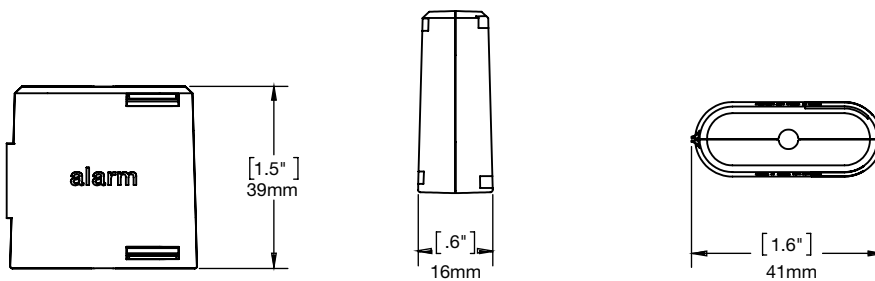


**SPECIFICATIONS**

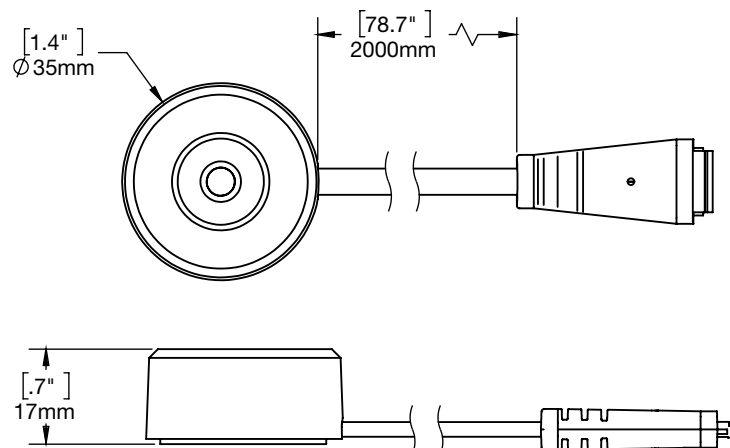
DUAL MICRO-MINI SENSOR WITH COILED CABLE (ZB2022):



SECONDARY EAS AM & RF TAG (ZB2013):



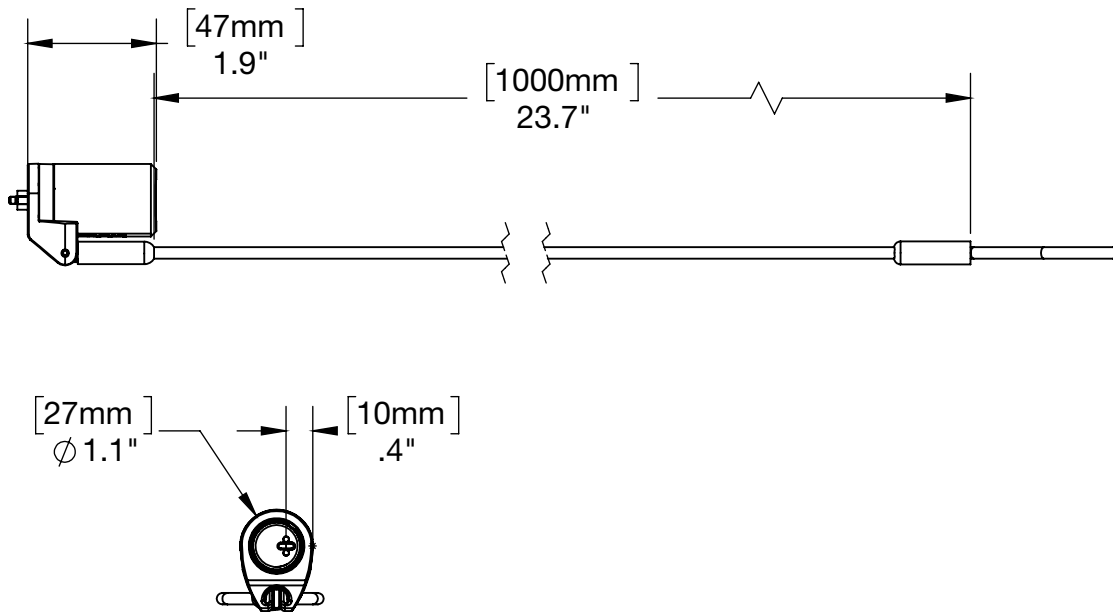
FOUR PORT REMOTE IR (ZB3000):



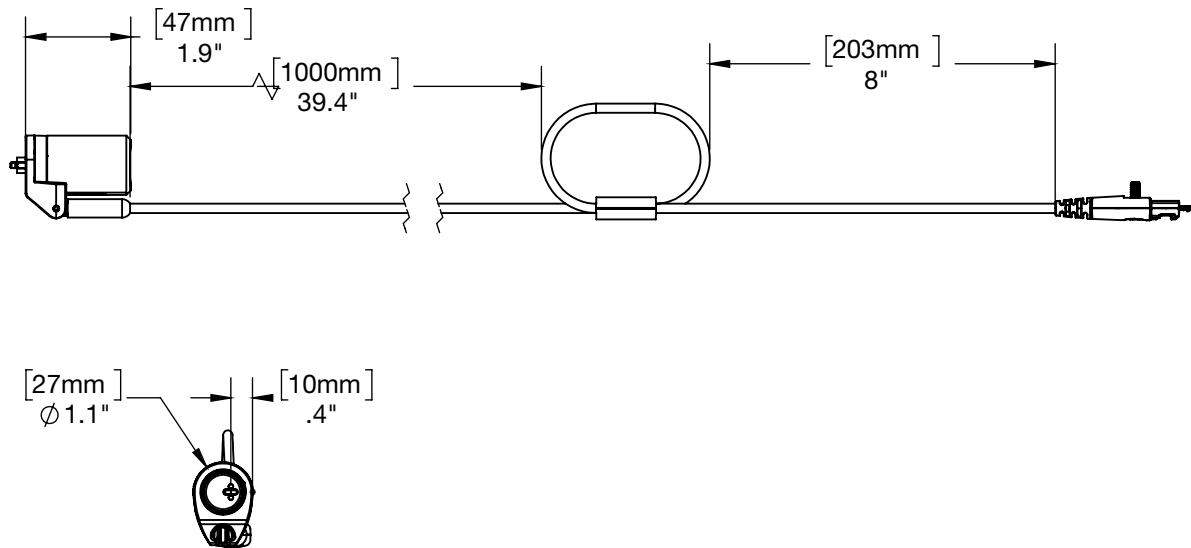


## SPECIFICATIONS

Non Alarming OneKEY K-Lock (ZT1000):

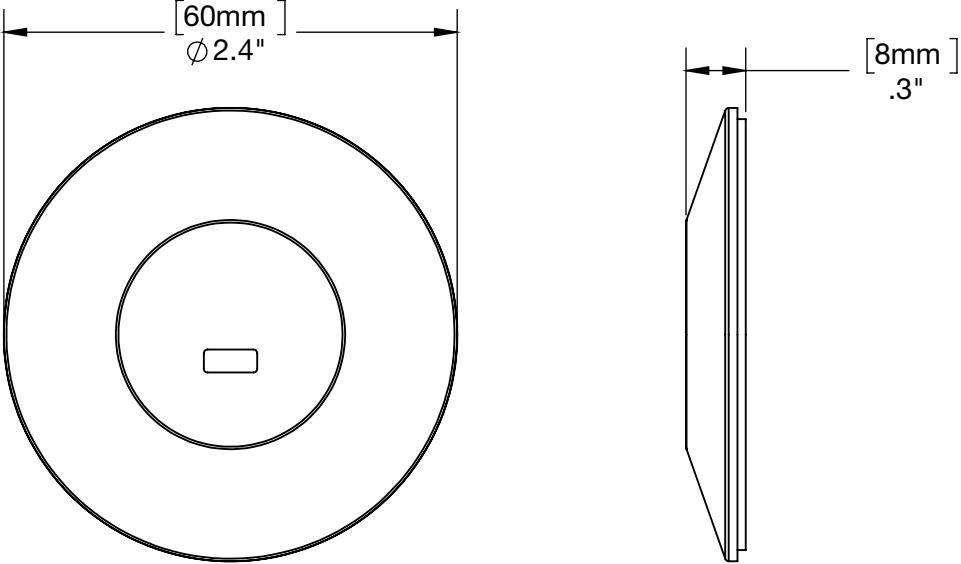


Alarming OneKEY K-Lock (ZT1100):

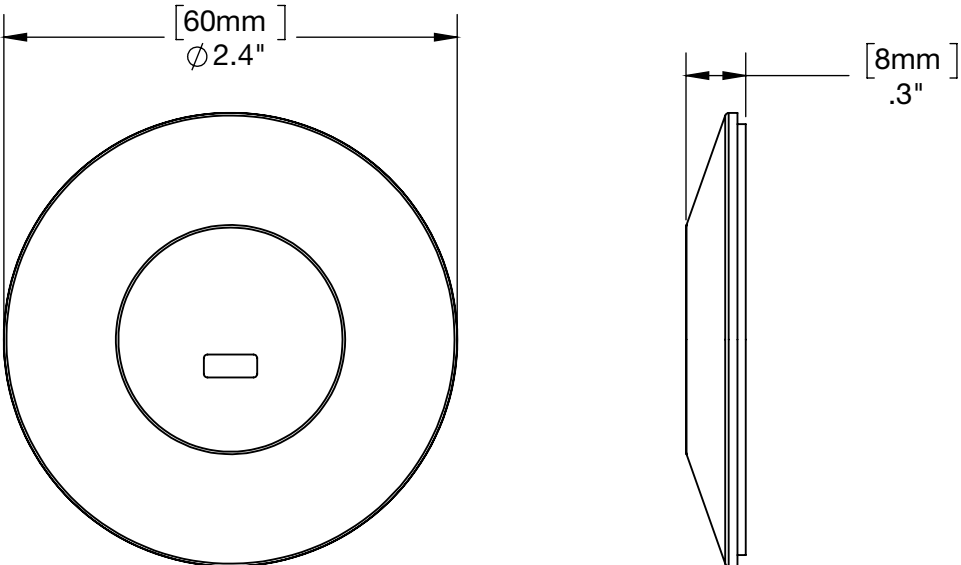


**SPECIFICATIONS**

Zips K-Lock Medallion, 1-Pack (ZT2001):

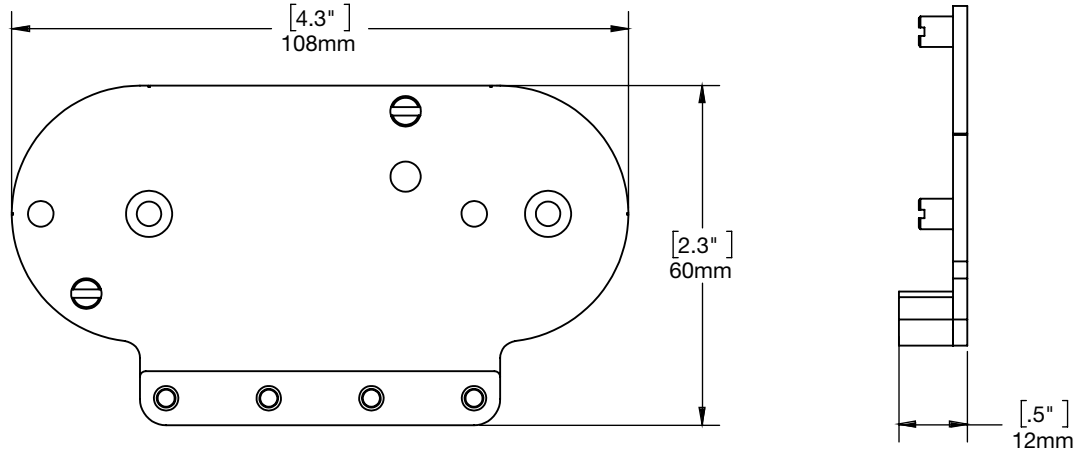


Zips K-Lock Medallion, 4-Pack (ZT2004):

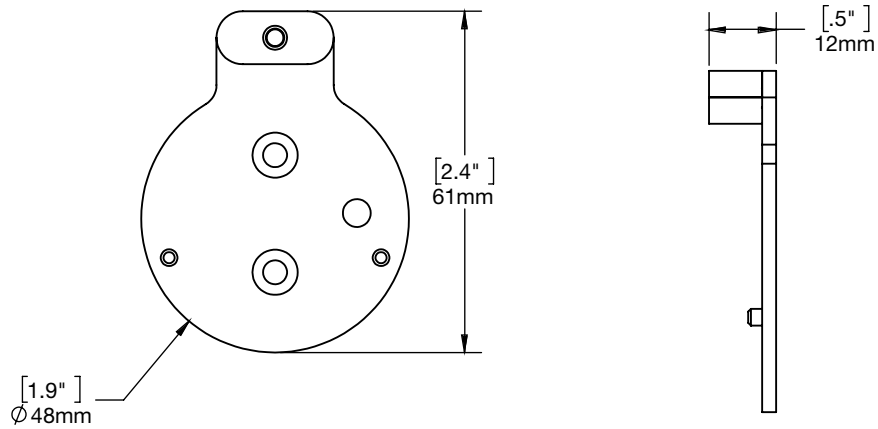


**SPECIFICATIONS**

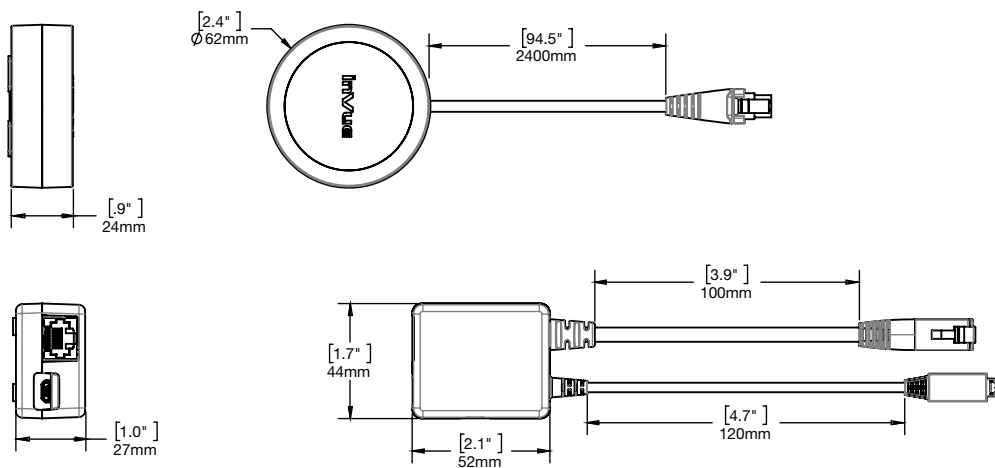
4-PORT AU HIGH SECURITY PLATE W/ NYLOCK NUTS (ZB3001):



SINGLE PORT AU HIGH SECURITY PLATE W/NUTS (ZB3002):

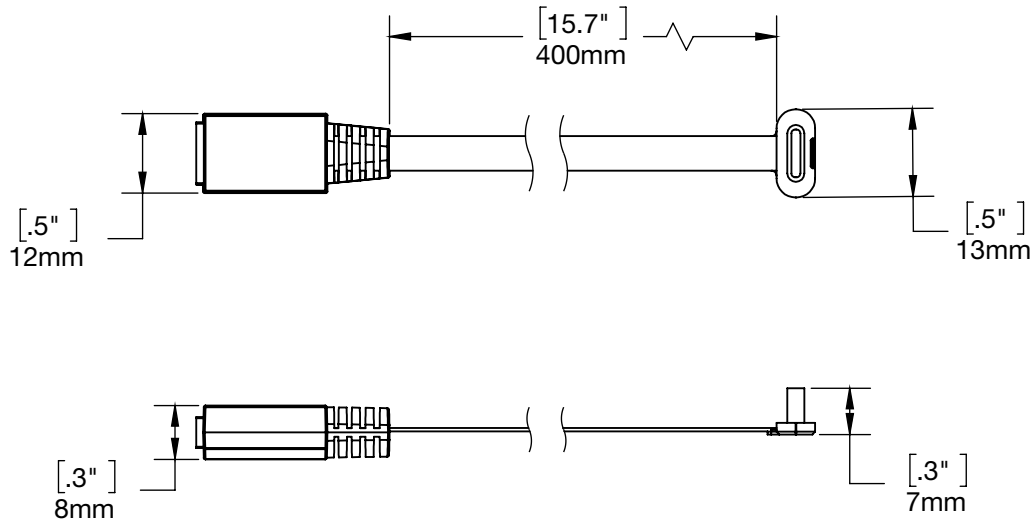


S2865 REMOTE IR EMMITTER KIT (ZB4000):

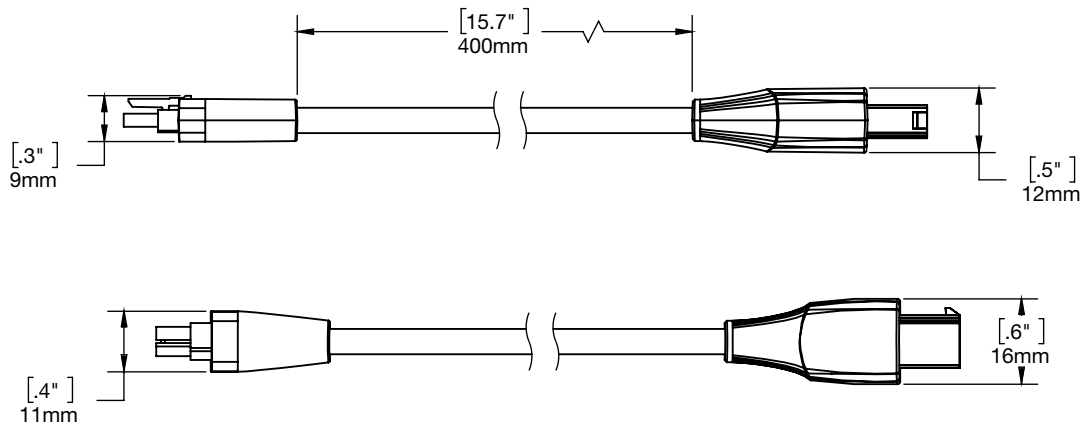


**SPECIFICATIONS**

SINGLE PORT POWER CABLE (ZB4001):



POWER CONNECTOR CABLE FOR 4-PORT AU (ZB4002):



## PRODUCT ORDERING

ORDER CODE	DESCRIPTION	NOTES
ZB1000-W ZB1000-B	SINGLE PORT ALARM UNIT	Available in White or Black
ZB1001-W ZB1001-B	4-PORT ALARM UNIT	Available in White or Black
ZB2000-W ZB2000-B	NON-ADJUSTABLE NOOSE-LOOP SENSOR	Available in White or Black
ZB2001-W ZB2001-B	ADJUSTABLE NOOSE SENSOR	Available in White or Black
ZB2002-B	HIGH SECURITY ADJUSTABLE NOOSE SENSOR	Available in Black
ZB2003-B	HS SENSOR WITH SECONDARY SENSOR	Available in Black
ZB2004-W ZB2004-B	POWERED MICRO-USB SENSOR	Available in White or Black
ZB2005-W ZB2005-B	POWERED USB-C CABLE SENSOR	Available in White or Black
ZB2006-W ZB2006-B	POWERED USB-MINI SENSOR	Available in White or Black
ZB2007-W ZB2007-B	NON-POWERED USB-A SENSOR	Available in White or Black
ZB2008-W ZB2008-B	MICRO PLUNGER SENSOR	Available in White or Black
ZB2009-W ZB2009-B	DUAL MICRO PLUNGER SENSOR	Available in White or Black
ZB2016-W ZB2016-B	ZIPS LAPTOP SENSOR STRAIGHT CABLE	Available in White or Black
ZB2017-W ZB2017-B	NON-ADJUSTABLE NOOSE SENSOR WITH COILED CABLE	Available in White or Black
ZB2018-W ZB2018-B	ADJUSTABLE NOOSE SENSOR WITH COILED CABLE	Available in White or Black
ZB2019-W ZB2019-B	SINGLE MICRO PLUNGER SENSOR WITH COILED CABLE	Available in White or Black
ZB2020-W ZB2020-B	DUAL MICRO PLUNGER SENSOR WITH COILED CABLE	Available in White or Black
ZB2021-W ZB2021-B	POWERED MICRO USB SENSOR WITH COILED CABLE	Available in White or Black
ZB2022-W ZB2022-B	DUAL MICRO-MINI SENSOR WITH COILED CABLE	Available in White or Black
ZB2013-W ZB2013-B	SECONDARY EAS AM & RF TAG	Available in White or Black
ZB3000-W ZB3000-B	FOUR PORT REMOTE IR	Available in White or Black



## PRODUCT ORDERING

ORDER CODE	DESCRIPTION	NOTES
ZT1000	Non Alarming OneKEY K-Lock	QTY: 1
ZT1100	Alarming OneKEY K-Lock	QTY: 1
ZT2001	K-Lock Medallion	QTY: 1
ZT2004	K-Lock Medallion	QTY: 4
ADH2308	Adhesive Replacement Kit For Single port AU 8 PK	QTY: 8
ADH2309	Adhesive Replacement Kit For 4-port AU 8 PK	QTY: 8
ADH2310	Adhesive Kit For ZB2003 HS Secondary Sensor 8PK	Available in White or Black
ZB3001	4-PORT AU HIGH SECURITY PLATE W/ NYLOCK NUTS	
ZB3002	SINGLE PORT AU HIGH SECURITY PLATE W/NUTS	
ZB4000-W ZB4000-B	S2865 REMOTE IR EMMITTER KIT	Available in White or Black
ZB4001-W ZB4001-B	SINGLE PORT POWER CABLE	Available in White or Black
ZB4002-W ZB4002-B	POWER CONNECTOR CABLE FOR 4-PORT AU	Available in White or Black
PS512	5.3V Micro USB Power Supply – For ZB1000 Single Port Alarm Unit, need to order ZB4001 Power Connector Cable	
YLR52	5.3V/6.2A Power Supply – For ZB1001 Four Port Alarm Unit, need to order ZB4002 Power Connector Cable	

invue.com

©2019 InVue Security Products. No endorsement of InVue products has been made by any of the manufacturers of the products shown. Product is sold pursuant to InVue's warranty which can be found at [www.invue.com/warranty](http://www.invue.com/warranty).

**THE AMERICAS** 704.752.6513 • 888.55.INVUE  
**EUROPE, MIDDLE EAST & AFRICA** +31.23.8900150  
**ASIA PACIFIC** +852.3127.6811