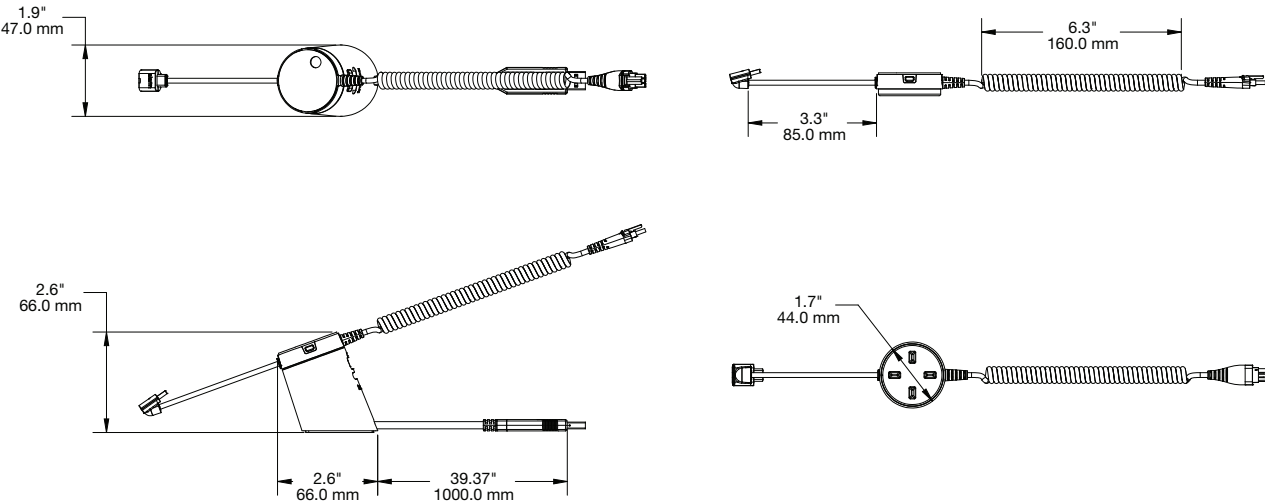


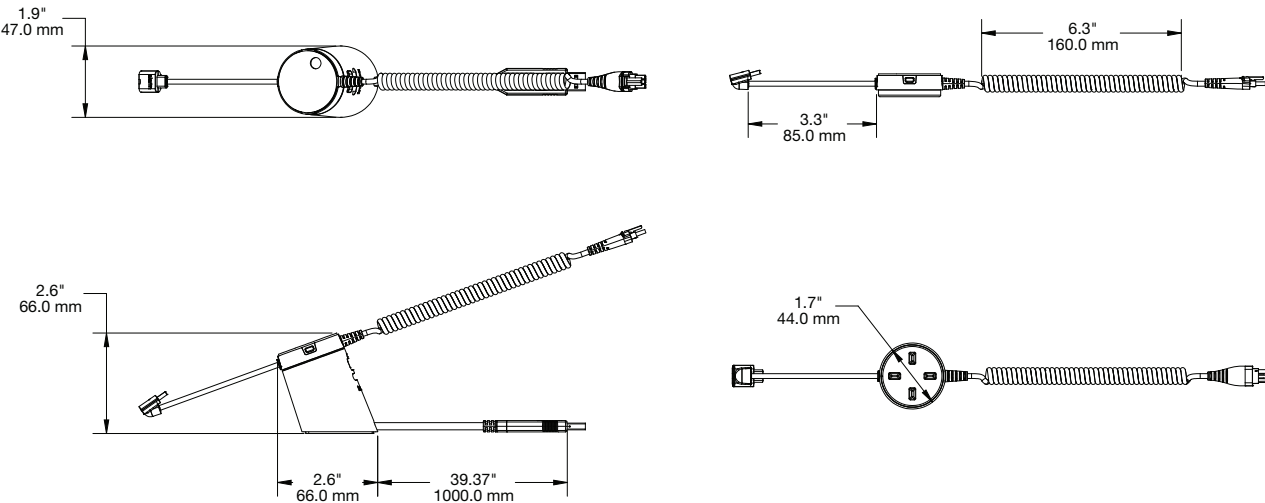
# Series 850 / Technical Specifications

## SPECIFICATIONS

Series 850 Angled Stand & Micro USB Sensor (DCD100):

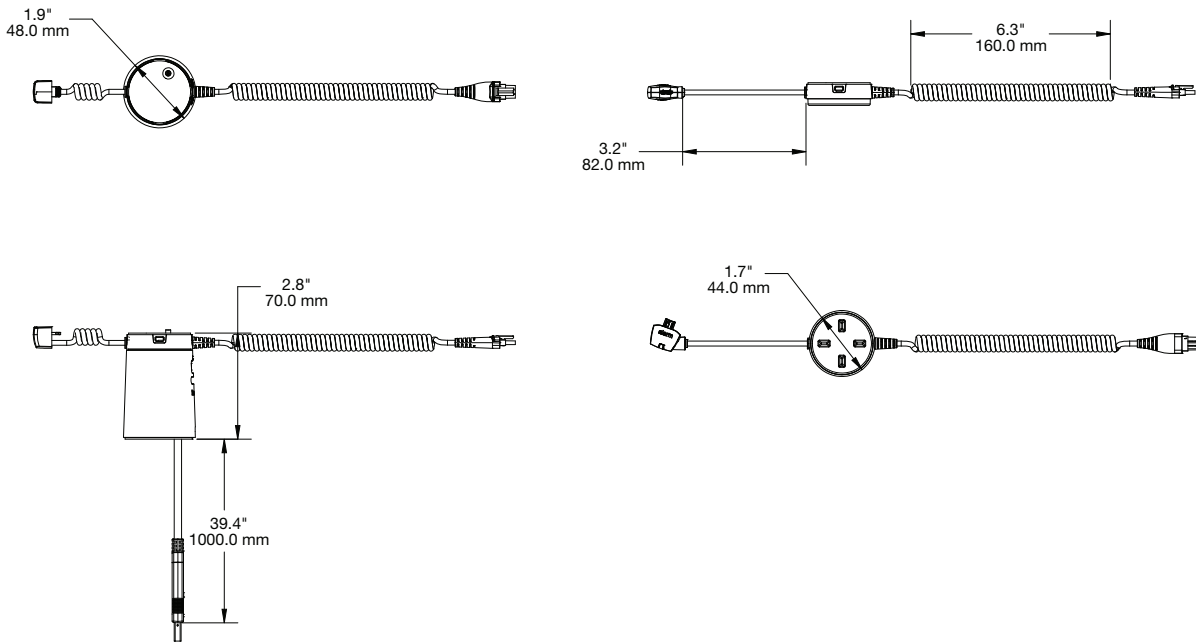


Series 850 Angled Stand & Type C Sensor (DCD101):

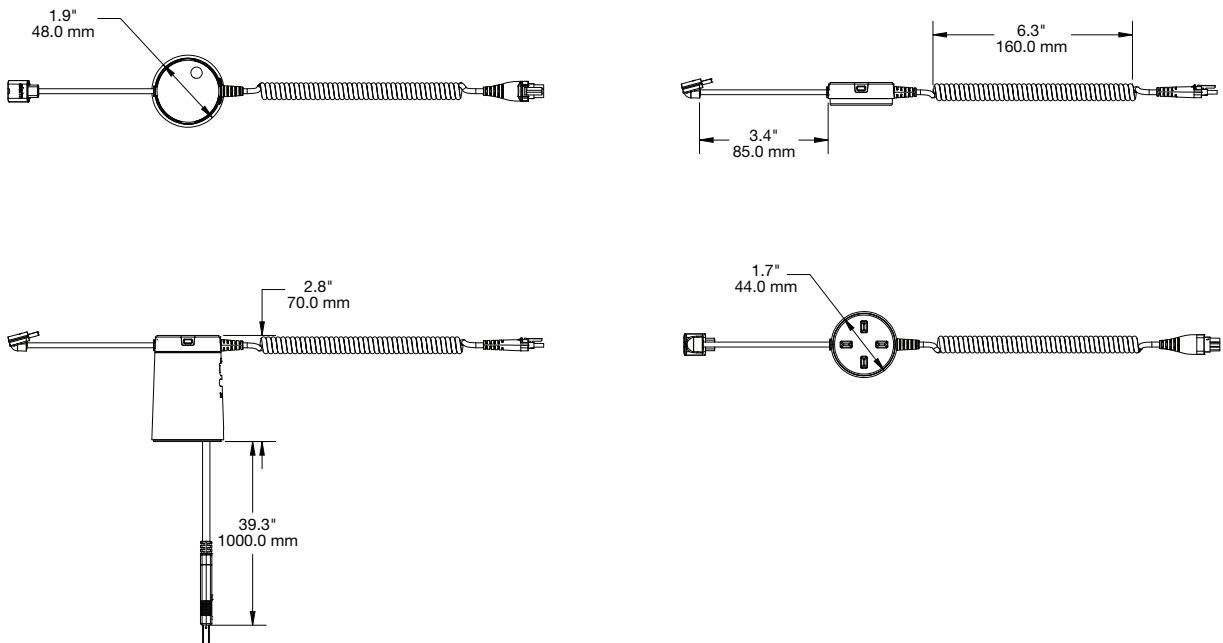


## SPECIFICATIONS

Series 850 Flat Stand & Micro USB Sensor (DCD103):

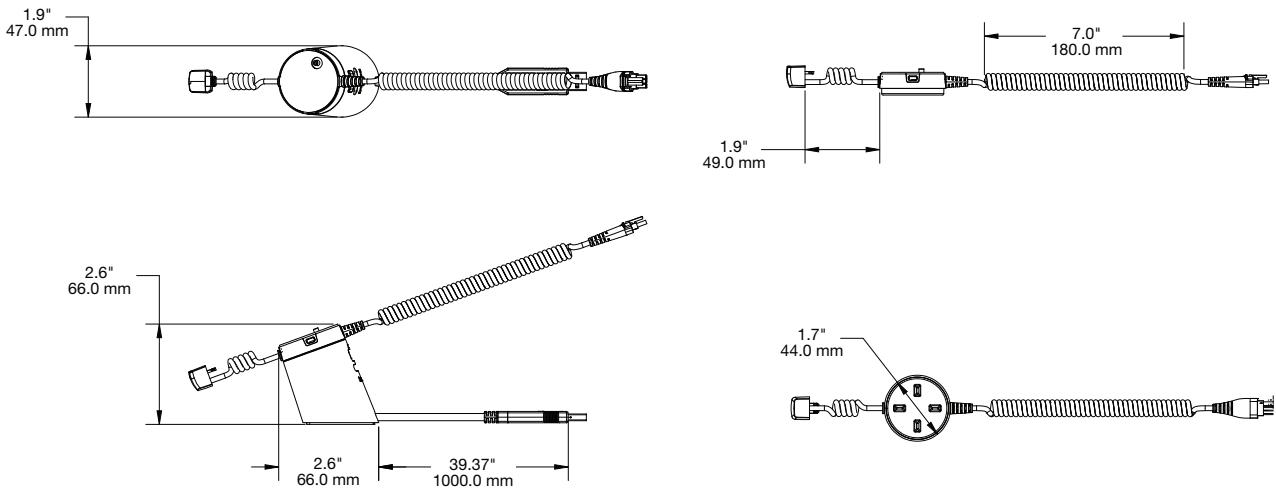


Series 850 Flat Stand & Type C Sensor (DCD104):

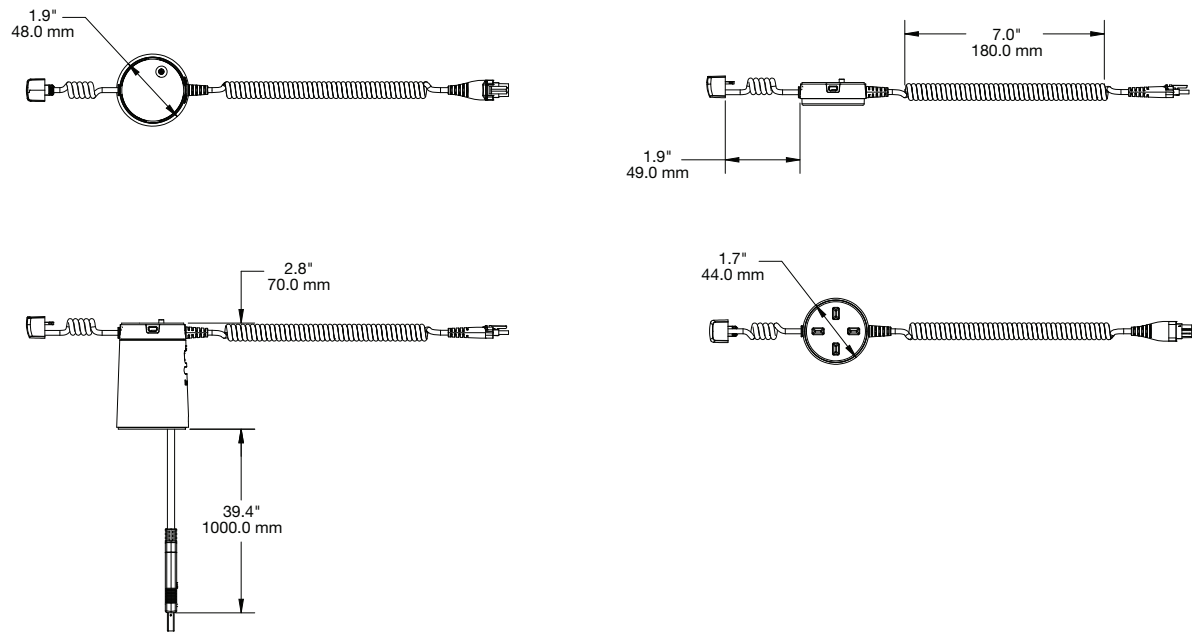


**SPECIFICATIONS**

Series 850 Angled Stand & Lightning Sensor 2.1A (DCD108):

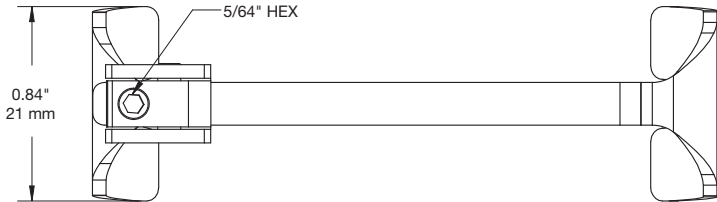
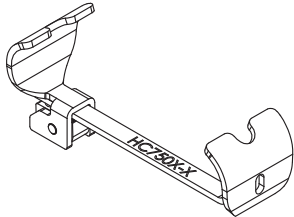
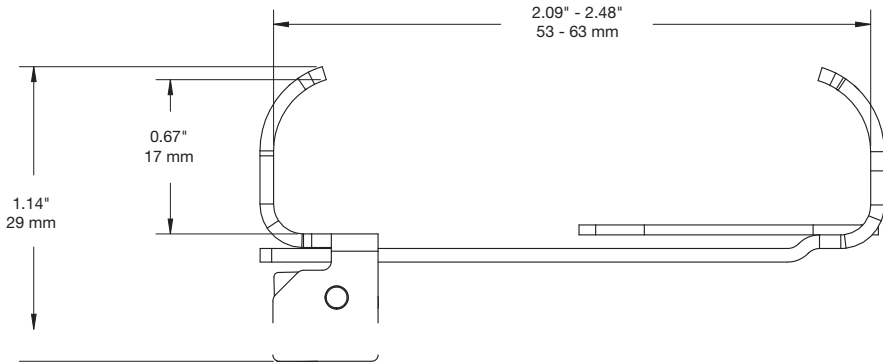


Series 850 Flat Stand & Lightning Sensor 2.1A (DCD109):

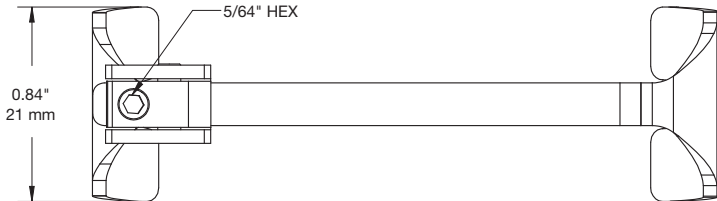
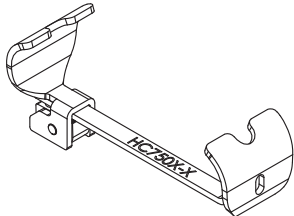
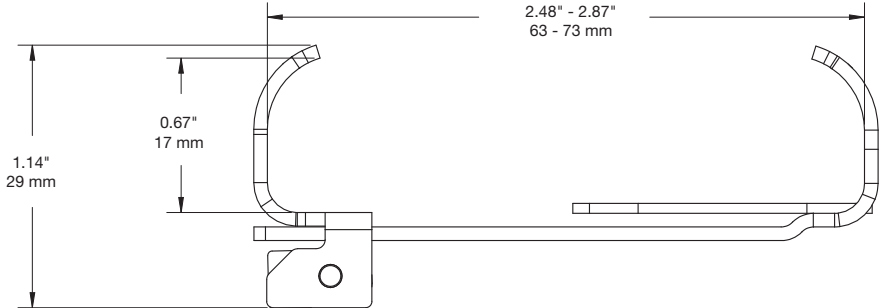


**SPECIFICATIONS**

Sensor Clamp - 53-63mm wide; 17mm thick (HC7501-B):

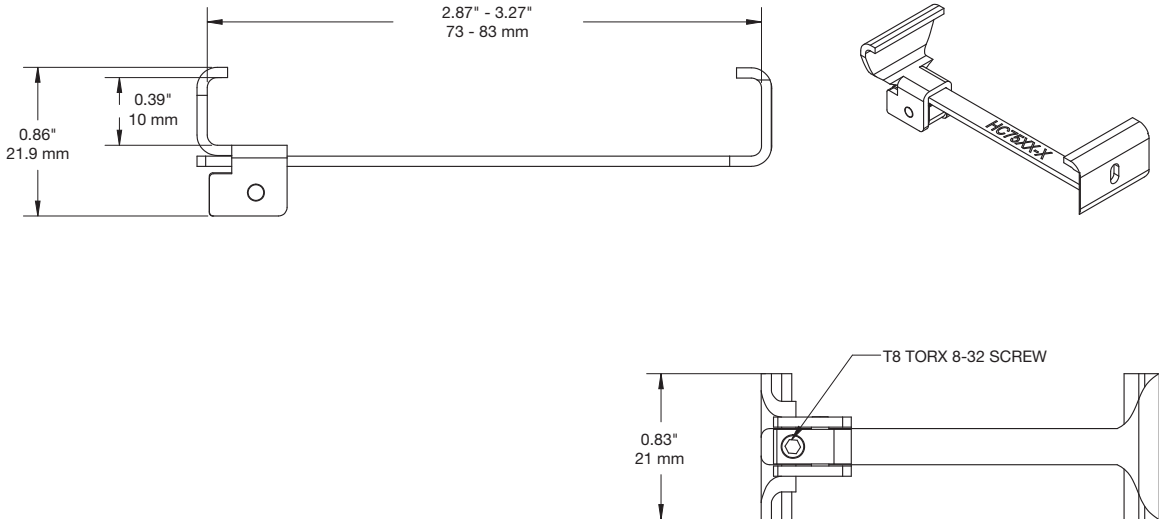


Sensor Clamp - 63-73mm wide; 17mm thick (HC7502-B):

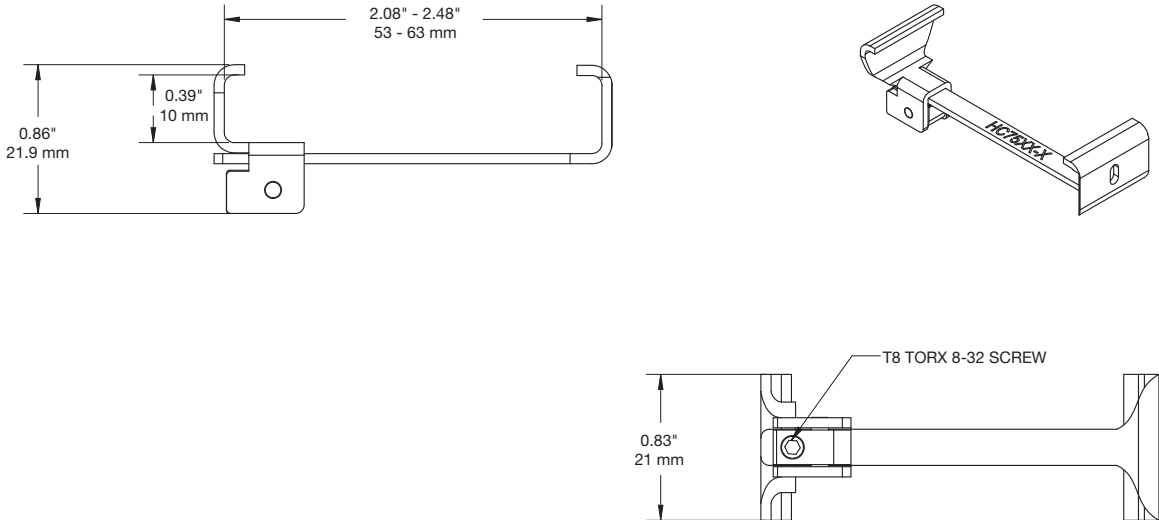


**SPECIFICATIONS**

Sensor Clamp - 73-83mm wide; 10mm thick (HC7503-B):

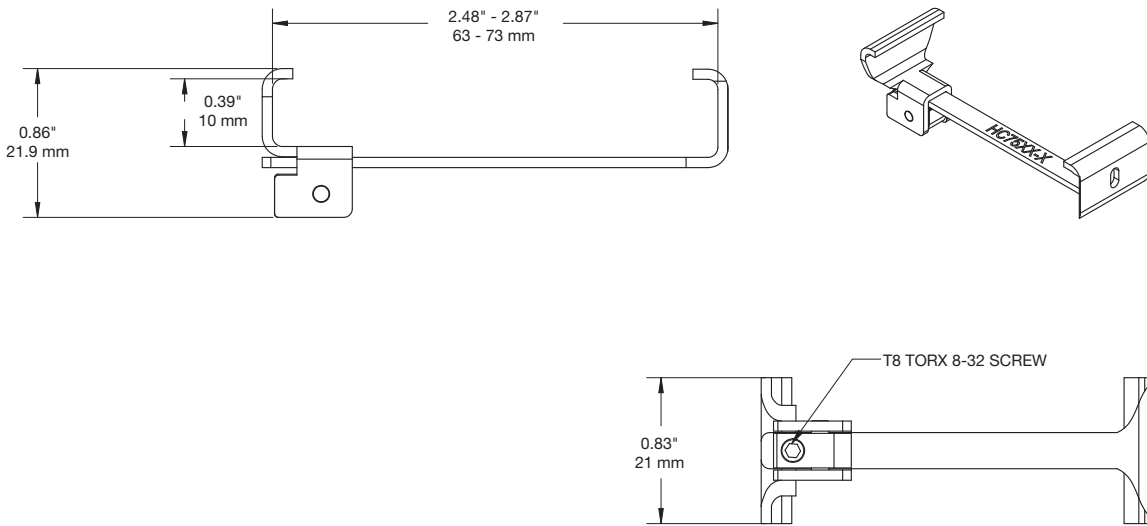


Sensor Clamp - 53-63mm wide; 10mm thick (HC7504-B):

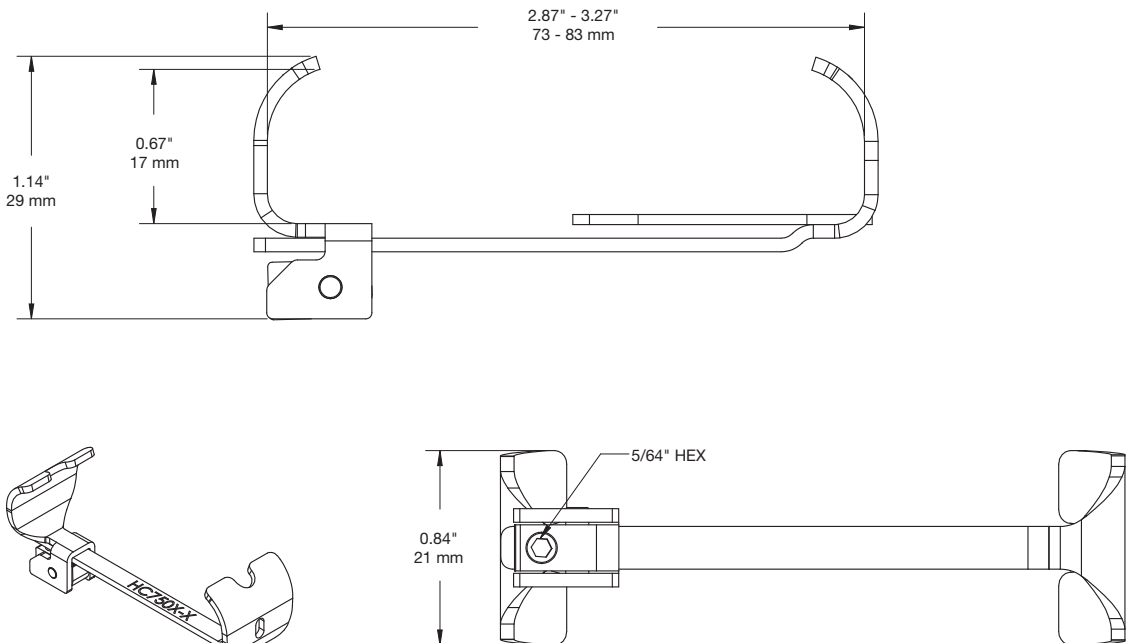


**SPECIFICATIONS**

Sensor Clamp - 63-73mm wide; 10mm thick (HC7505-B):

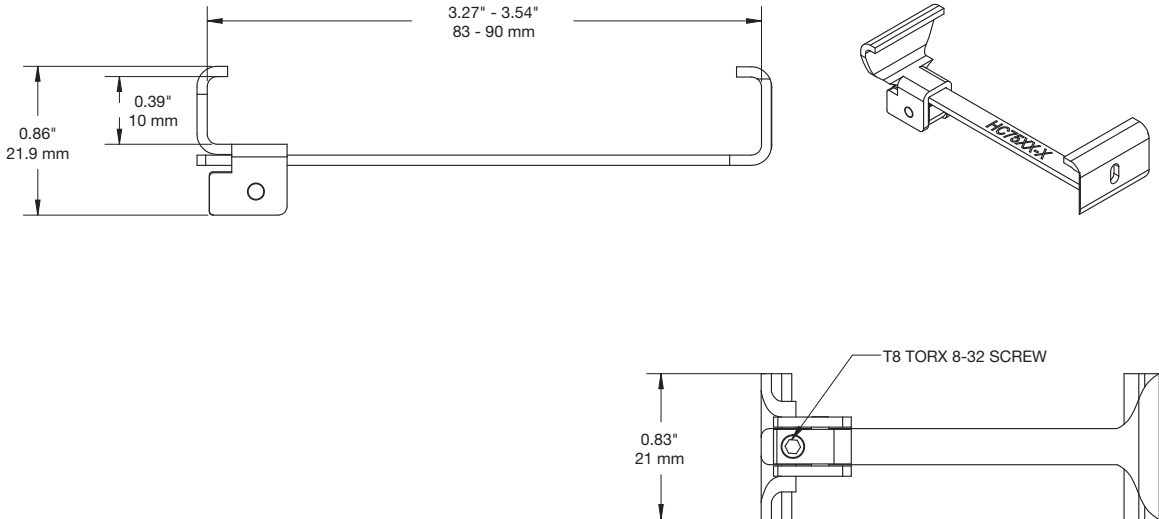


Sensor Clamp - 63-73mm wide; 10mm thick (HC7506-B):



**SPECIFICATIONS**

Sensor Clamp - 88-92mm wide; 10mm thick (HC7513-B):



## PRODUCT ORDERING

ORDER CODE	DESCRIPTION	NOTES
<b>DISPLAY STAND AND SENSOR KITS</b>		
DCD100-W DCD100-B	Series 850 Angled Stand & Micro USB Sensor - White Series 850 Angled Stand & Micro USB Sensor - Black	› DCD100-B is built to order
DCD101-W DCD101-B	Series 850 Angled Stand & Type C Sensor - White Series 850 Angled Stand & Type C Sensor - Black	› DCD101-B is built to order
DCD103-W DCD103-B	Series 850 Flat Stand & Micro USB Sensor - White Series 850 Flat Stand & Micro USB Sensor - Black	› DCD103-W is built to order › DCD103-B is built to order
DCD104-W DCD104-B	Series 850 Flat Stand & Type C Sensor - White Series 850 Flat Stand & Type C Sensor - Black	› DCD104-W is built to order › DCD104-B is built to order
DCD108-W DCD108-B	Series 850 Angled Stand & Lightning Sensor 2.1A - White Series 850 Angled Stand & Lightning Sensor 2.1A - Black	› DCD108-B is built to order
DCD109-W DCD109-B	Series 850 Flat Stand & Lightning Sensor 2.1A - White Series 850 Flat Stand & Lightning Sensor 2.1A - Black	› DCD109-B is built to order
<b>REPLACEMENT STANDS AND SENSORS</b>		
DCD106-W DCD106-B	Series 850 Replacement Angled Stand - White Series 850 Replacement Angled Stand - Black	› DCD106-W is built to order › DCD106-B is built to order
DCD107-W DCD107-B	Series 850 Replacement Flat Stand - White Series 850 Replacement Flat Stand - Black	› DCD107-W is built to order › DCD107-B is built to order
DCD200-W DCD200-B	Series 850 Replaceable Micro USB Sensor - White Series 850 Replaceable Micro USB Sensor - Black	› DCD200-B is built to order
DCD201-W DCD201-B	Series 850 Replaceable Type C Sensor - White Series 850 Replaceable Type C Sensor - Black	› DCD201-B is built to order
DCD203-W DCD203-B	Series 850 Replaceable Lightning Sensor 2.1A - White Series 850 Replaceable Lightning Sensor 2.1A - Black	› DCD203-B is built to order
<b>REPLACEMENT ADHESIVES</b>		
ADH2120	Series 850 Angled Stand Replacement Adhesive	› 6 pack
ADH2159	Series 850 Flat Stand Replacement Adhesive	› 6 pack
ADH2119	Series 850 Sensor Replacement Adhesive	› 8 pack





## PRODUCT ORDERING

ORDER CODE	DESCRIPTION	NOTES
<b>BRACKETS</b>		
HC7501-B	Sensor Clamp - Black	› 53-63mm wide; 17mm thick
HC7502-B	Sensor Clamp - Black	› 63-73mm wide; 17mm thick
HC7503-B	Sensor Clamp - Black	› 73-83mm wide; 10mm thick
HC7504-B	Sensor Clamp - Black	› 53-63mm wide; 10mm thick
HC7505-B	Sensor Clamp - Black	› 63-73mm wide; 10mm thick
HC7506-B	Sensor Clamp - Black	› 73-83mm wide; 17mm thick
HC7513-B	Sensor Clamp - Black	› 88-92mm wide; 10mm thick
<b>DIGITAL INTERFACE &amp; CCTV</b>		
DGD405	90-Degree DIB Cable	
HC4417-PO	PB 18 Volt - Power Box	
YLR18V	DC Power Supply - 18V DIB/PIB	
YR5V12	DIB 12 Port - 5V	
YLR5V	DC Power Supply - 5.3V DIB/PIB	
<b>POWER SUPPLIES</b>		
PS515-US	USB-A Power Supply - US	
PS515-UK	USB-A Power Supply - UK	
PS515-EU	USB-A Power Supply - EU	
PS515-JPN	USB-A Power Supply - JPN	
PS515-KR	USB-A Power Supply - KR	

invue.com

©2018 InVue Security Products. No endorsement of InVue products has been made by any of the manufacturers of the products shown. Product is sold pursuant to InVue's warranty which can be found at [www.invue.com/warranty](http://www.invue.com/warranty).

**THE AMERICAS** 704.752.6513 • 888.55.INVUE  
**EUROPE, MIDDLE EAST & AFRICA** +31.23.8900150  
**ASIA PACIFIC** +852.3127.6811

