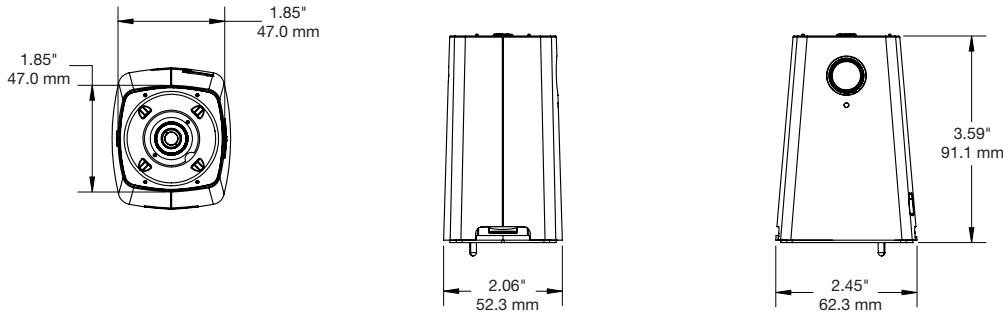
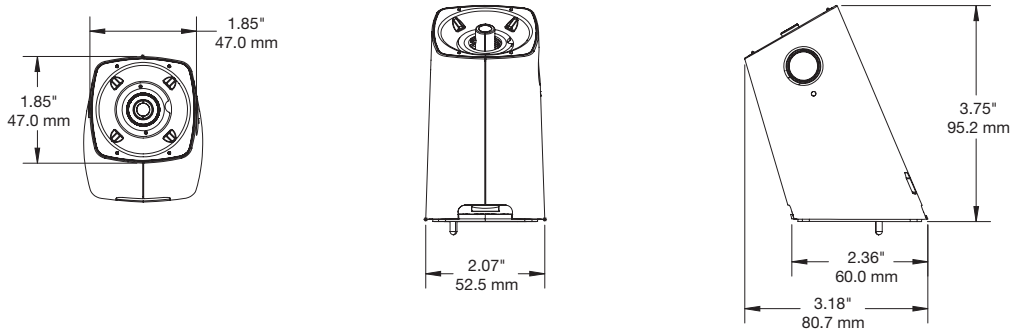


## SPECIFICATIONS

Series 1060 Flat Stand (DRD105-W):

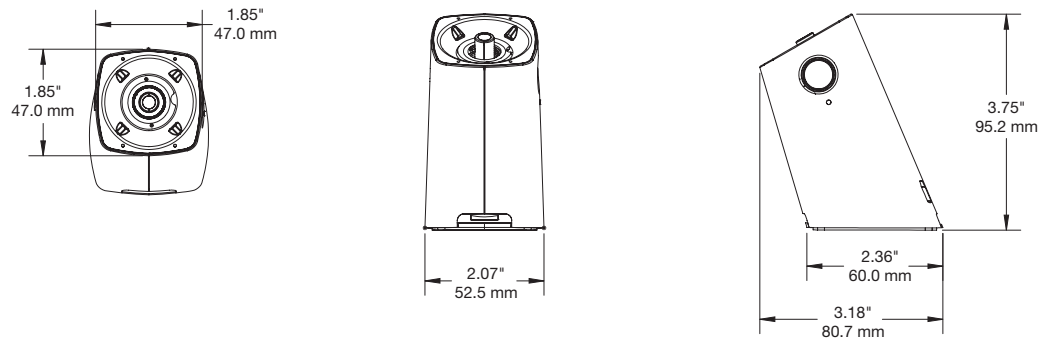


Series 1060 Angled Stand (DRD106-W):

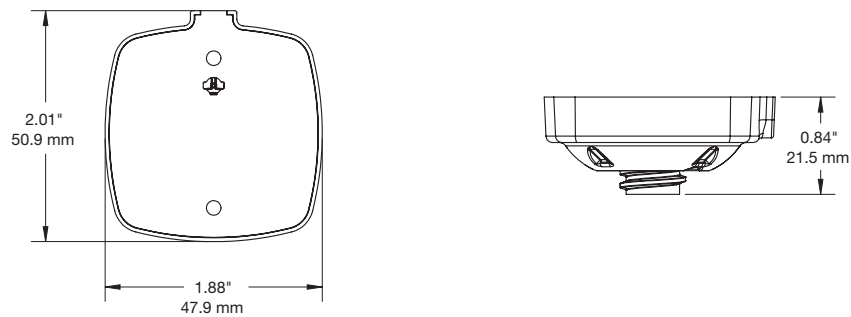


## SPECIFICATIONS

Series 1060 Display-Only Stand (DRD102-W):

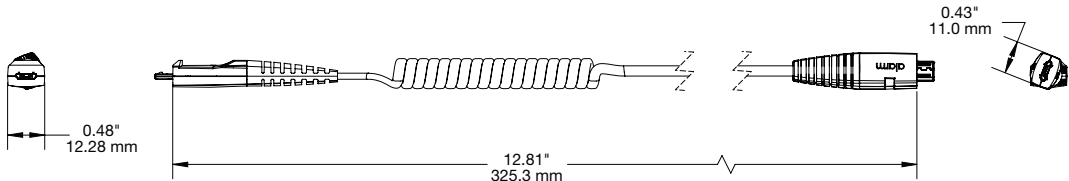


Series 1060 Display-Only Sensor (DRD200-W):

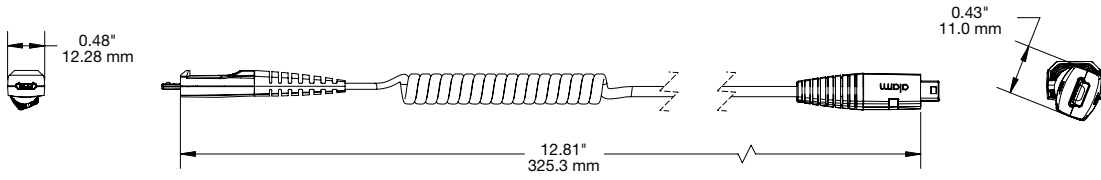


**SPECIFICATIONS**

Series 1060 Micro USB AP Sensor (DRD201-W):

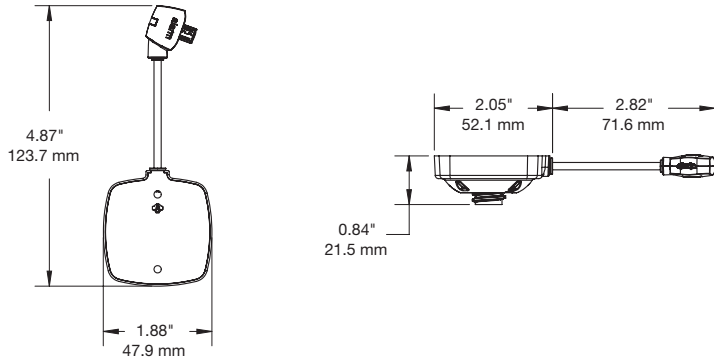


Series 1060 Mini USB AP Sensor (DRD202-W):

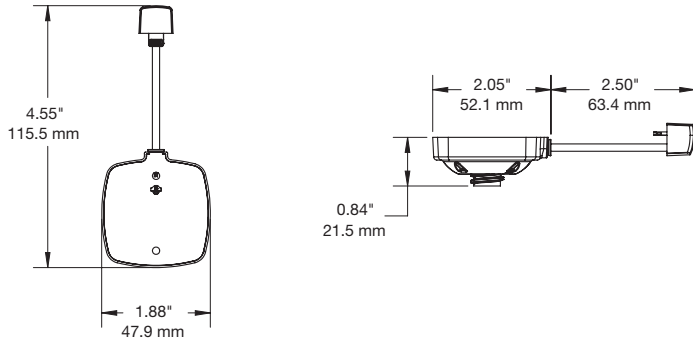


**SPECIFICATIONS**

Series 1060 Micro USB Handheld Sensor (DRH200-W):

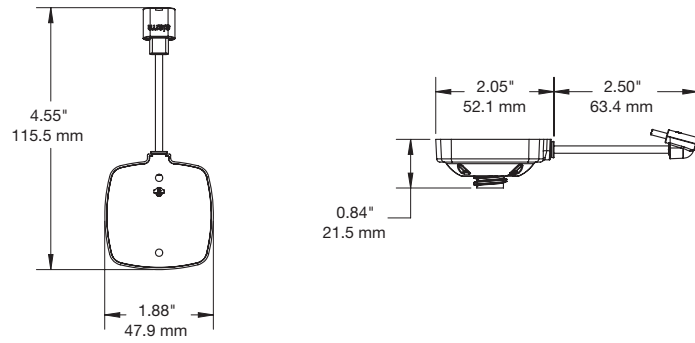


Series 1060 Apple Lightning Handheld Sensor (DRH201-W):

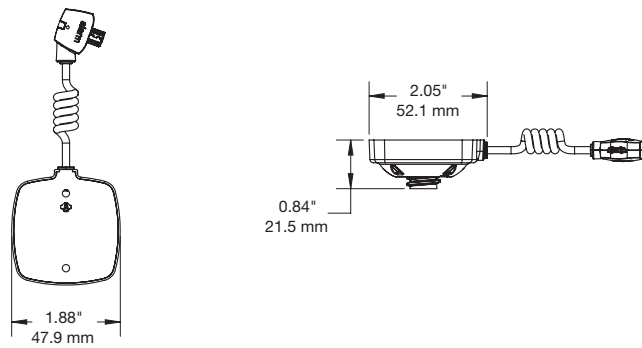


## SPECIFICATIONS

Series 1060 USB Type C Handheld Sensor (DRH207-W):

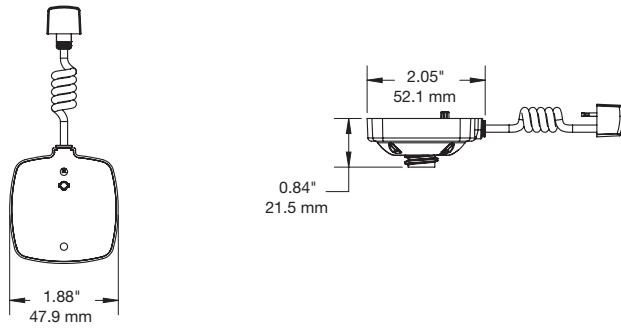


Series 1060 Tablet Micro USB Sensor (DRT200-W):

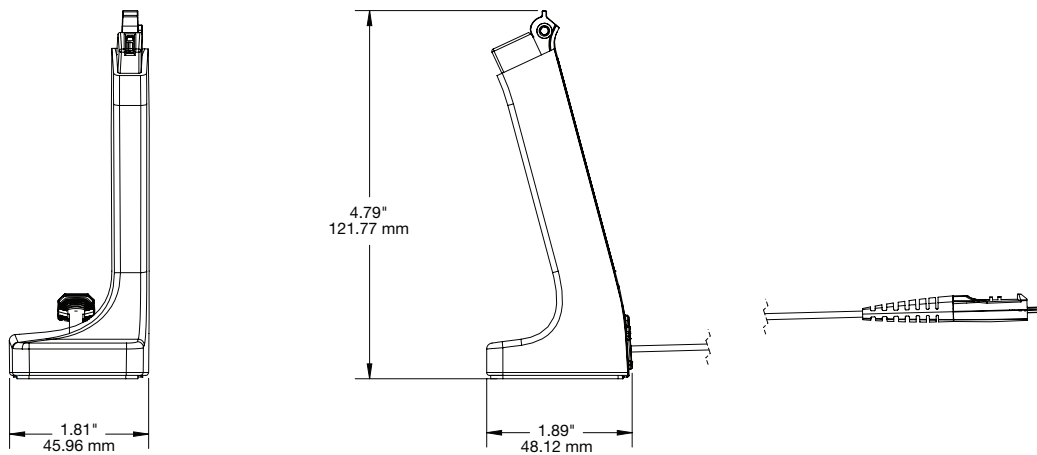


## SPECIFICATIONS

Series 1060 Tablet Apple Lightning Sensor (DRT201-W):

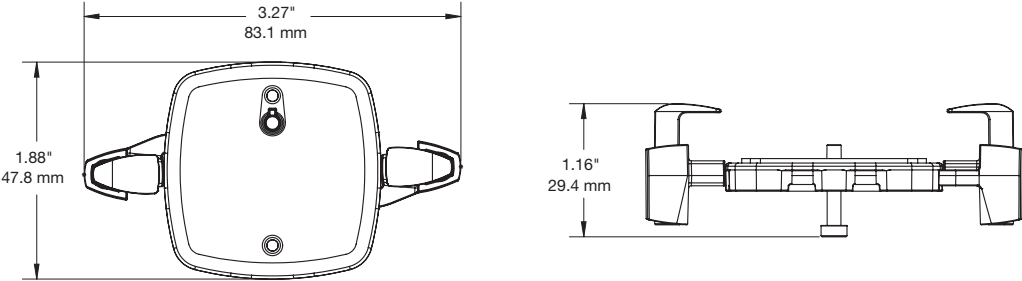


Series 1060 WS1 Wearable Stand (DRD205-W):



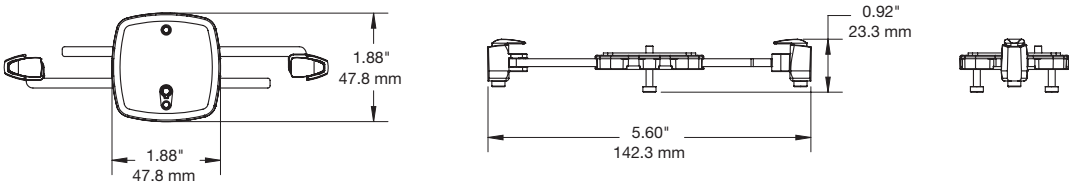
**SPECIFICATIONS**

Series 1060 Handheld Arm Bracket and Mounting Plate (DRH203):



Series 1060 Tablet Arm Bracket and Mounting Plate (DRT203):

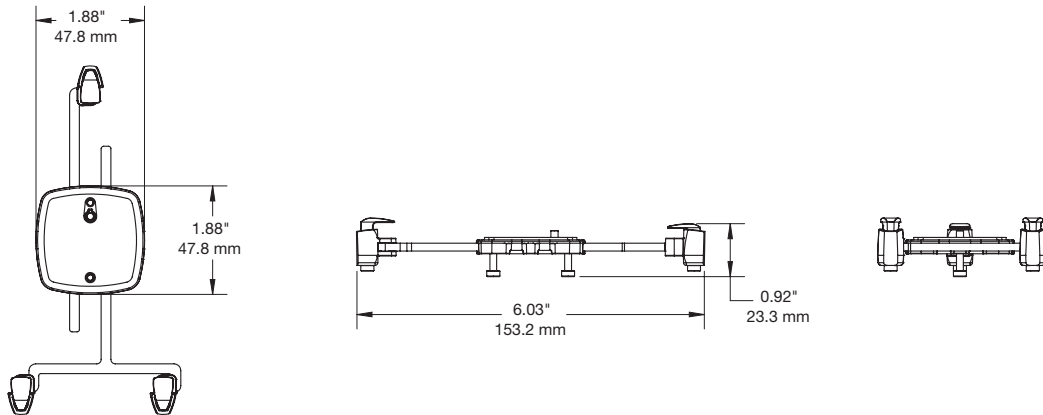
(For mounting tablets in a portrait orientation only.)



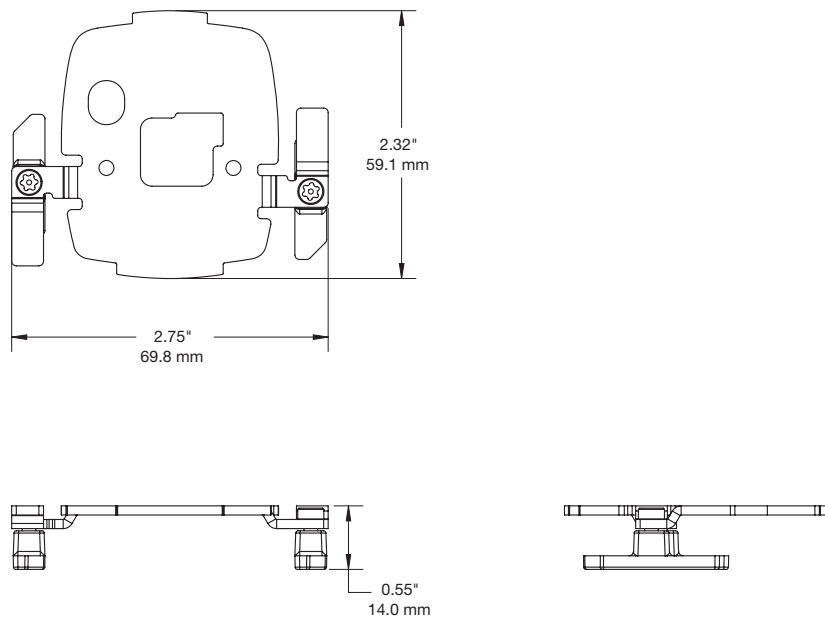
**SPECIFICATIONS**

Series 1060 Tablet Viper Arm Bracket and Mounting Plate (DRT204):

(For mounting tablets in a landscape orientation only.)



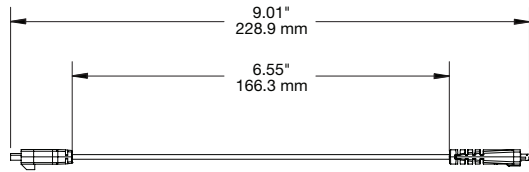
Series 1060 Slot Mount Kit (DRD400):



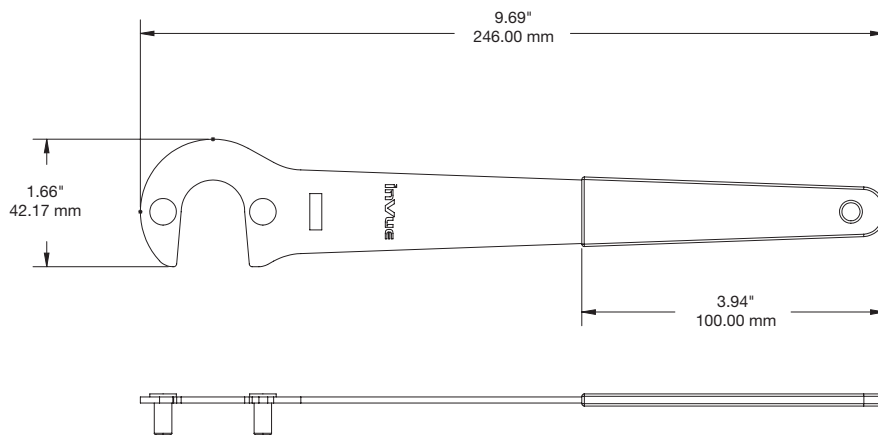


**SPECIFICATIONS**

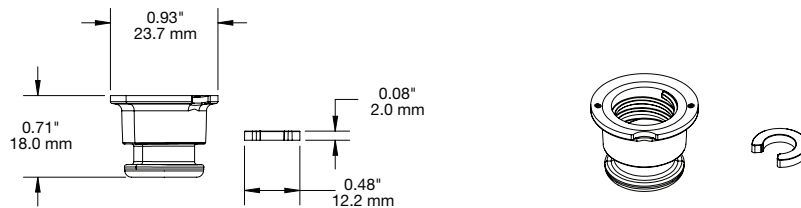
Series 1560 Interactive Cable (DRD402):



Series 1060 Removal Adapter (DRG401):



Series 1060 Cable Clip and Collar Replacement Kit (DSD403-W):



### PRODUCT ORDERING

ORDER CODE	DESCRIPTION	CARTON QTY.
DRD105-W	Series 1060 Flat Stand	32
DRD106-W	Series 1060 Angled Stand	32
DRD102-W	Series 1060 Display Only Stand	32
DRD200-W	Series 1060 Display Only Sensor	32
DRD201-W	Series 1060 Micro USB AP Sensor	1
DRD202-W	Series 1060 Mini USB AP Sensor	1
DRH200-W	Series 1060 Micro USB Handheld Sensor	32
DRH201-W	Series 1060 Apple Lightning Handheld Sensor	32
DRH207-W	Series 1060 USB Type C Handheld Sensor	32
DRT200-W	Series 1060 Tablet Micro-USB Sensor	32
DRT201-W	Series 1060 Tablet Apple Lightning Sensor	32
DRT207-W	Series 1060 Tablet USB Type C Sensor	32
DRD205-W	Series 1060 WS1 Wearable Stand	1
<b>BRACKETS, ACCESSORIES &amp; REPLACEMENT PARTS</b>		
DRH203	Series 1060 Handheld Arm Bracket and Mounting Plate	48
DrT203	Series 1060 Tablet Arm Bracket and Mounting Plate	48
DrT204	Series 1060 Tablet Viper Arm Bracket and Mounting Plate	48
DRT206-W	Series 1060 Apple iPad Air Custom Arms	48
DrD400	Series 1060 Slot Mount Accessory	48
DRD402	Digital Signage Trigger/Adapter/CCTV Cable	48
ADH2082	Series 1060 Stand Adhesive, 8 Pack	20
ADH2083	Series 1060 Sensor Adhesive, 8 Pack	8
AF6313	Multi Tool (use with DRG400 to remove sensor)	25
DRG401	Series 1060 Removal Adapter	20
DSD403-W	Series 1060 Cable Clip & Collar Replacement Kit	200



### PRODUCT ORDERING

ORDER CODE	DESCRIPTION	CARTON QTY.
<b>ACCESSORY SENSORS (USED WITH ACCESSORY PORT FOR CROSS-MERCHANDISING)</b>		
DRD201-W	Micro USB AP Accessory Sensor	32
DRD202-W	Mini USB AP Accessory Sensor	32
DRD203-W	Type C AP Accessory Sensor	32
DRD204-W	Apple Lightning AP Accessory Sensor	32
ZA2715-W	Zips Band Sensor - Small	50
ZA2716-W	Zips Band Sensor - Large	50
<b>POWER SUPPLIES</b>		
PS530-US	5V, 3A (5-pin) Power Supply - US	32
PS530-UK	5V, 3A (5-pin) Power Supply - UK	
PS530-EU	5V, 3A (5-pin) Power Supply - EU	
PS530-JPN	5V, 3A (5-pin) Power Supply - JPN	

[invue.com](http://invue.com)

©2018 InVue Security Products. No endorsement of InVue products has been made by any of the manufacturers of the products shown. Product is sold pursuant to InVue's warranty which can be found at [www.invue.com/warranty](http://www.invue.com/warranty).

**THE AMERICAS** 704.752.6513 • 888.55.INVUE  
**EUROPE, MIDDLE EAST & AFRICA** +31.23.8900150  
**ASIA PACIFIC** +852.3127.6811