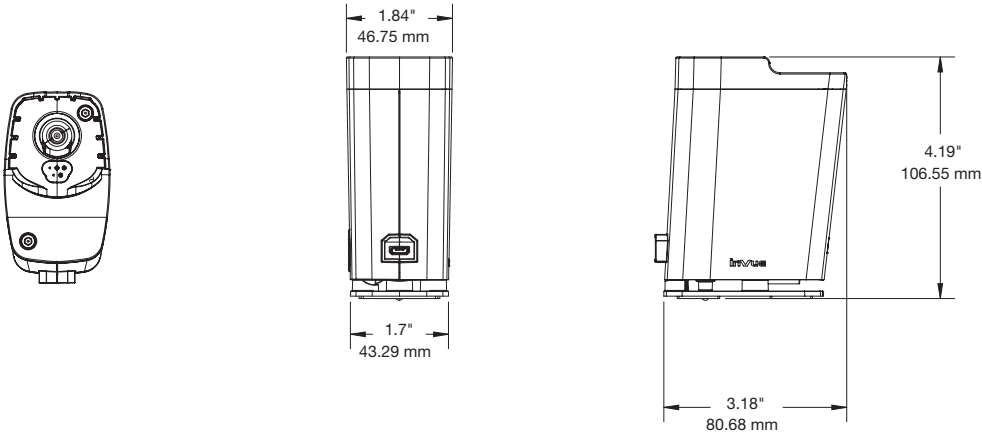
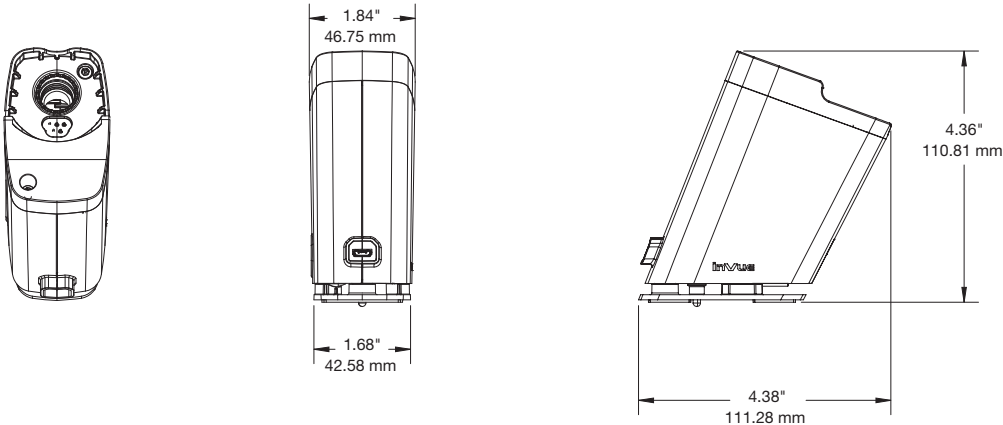


## SPECIFICATIONS

Series 1050 Flat Stand (DQD100-W):

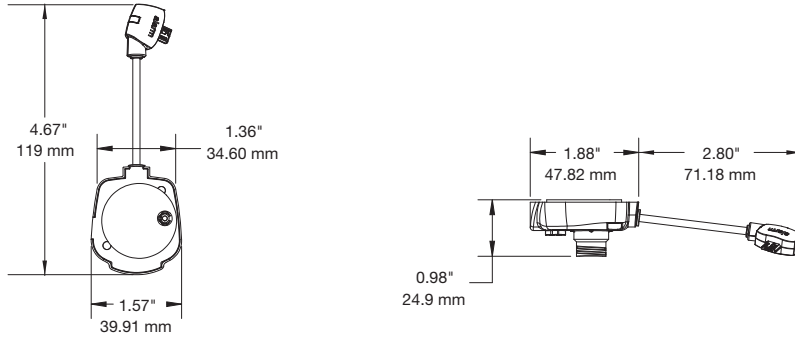


Series 1050 Angled Stand (DQD101-W):

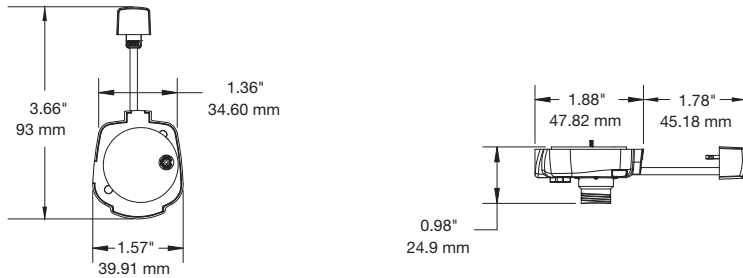


## SPECIFICATIONS

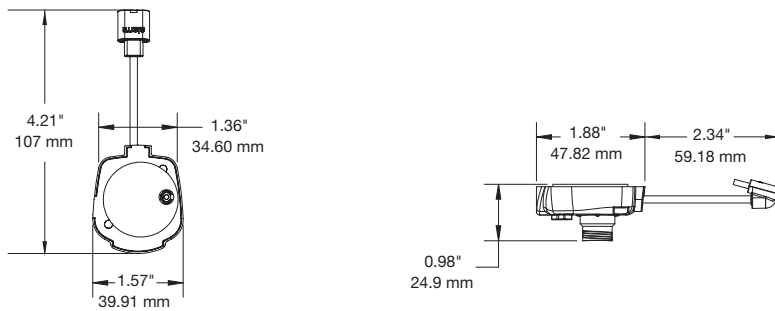
Series 1050 Micro USB Handheld Sensor (DQH200-W):



Series 1050 Apple Lightning Handheld Sensor (DQH201-W):

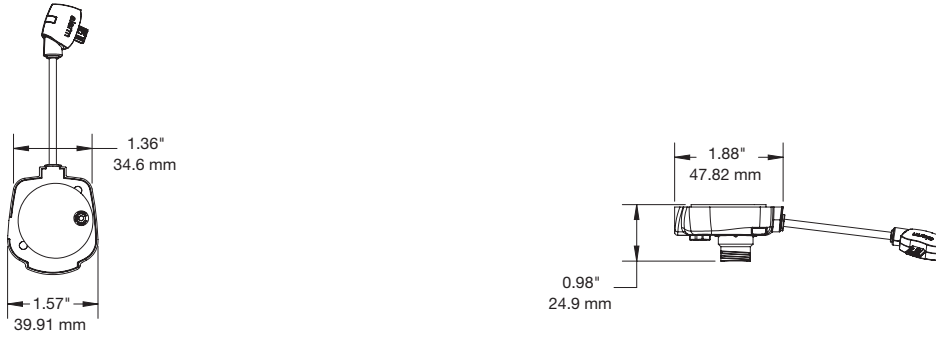


Series 1050 USB Type C Handheld Sensor (DQH202-W):

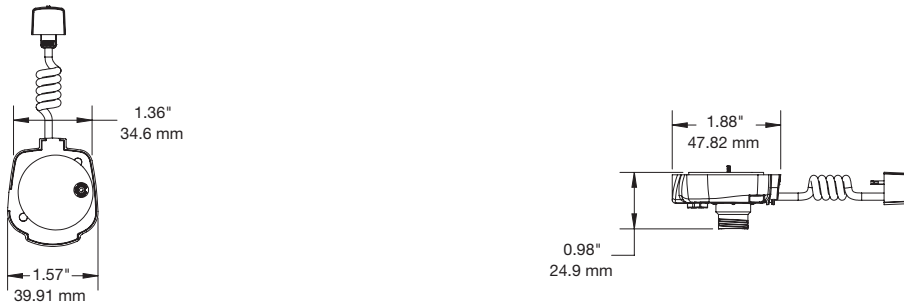


## SPECIFICATIONS

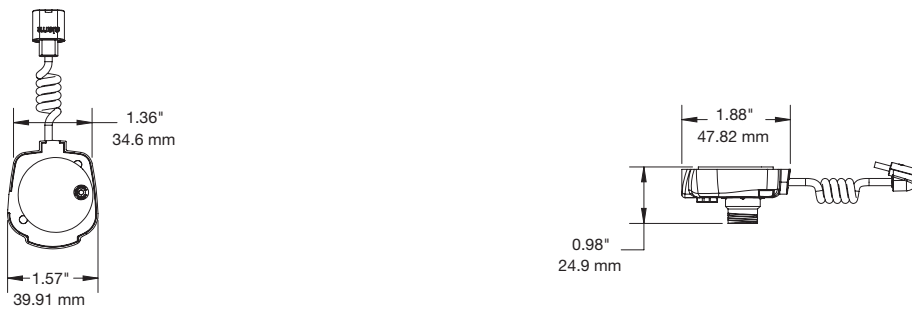
Series 1050 Tablet Micro USB Sensor (DQT200-W):



Series 1050 Tablet Apple Lightning Sensor (DQT201-W):



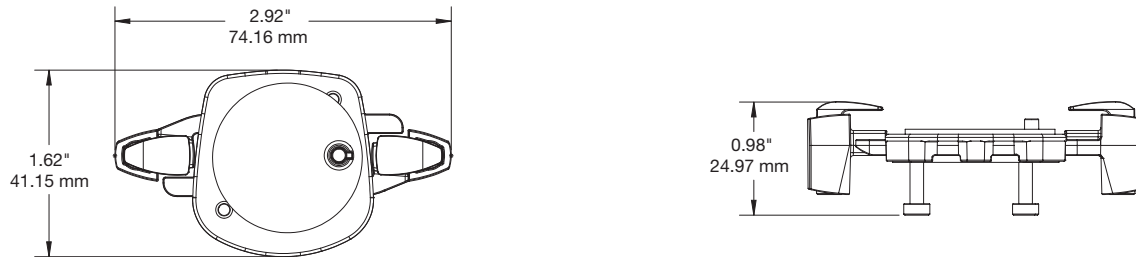
Series 1050 Tablet USB Type C Sensor (DQT202-W):



## SPECIFICATIONS

### Series 1050 Handheld Arm Bracket and Mounting Plate (DQH203):

(For mounting handhelds in a portrait orientation only.)

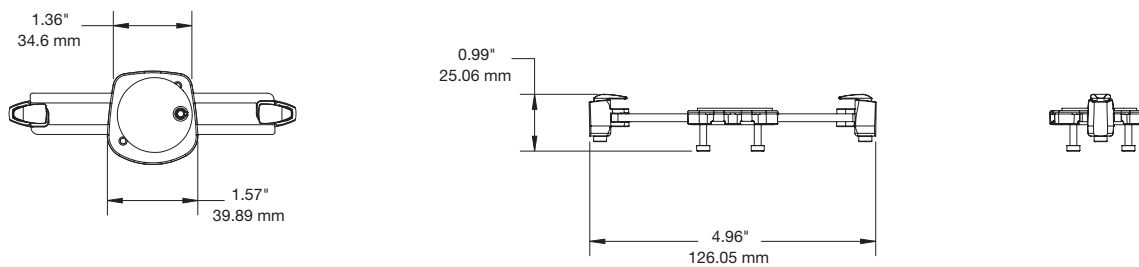


Device Width Range: 55mm-95mm

Device Thickness Range: 4.5mm-10.5mm

### Series 1050 Tablet Arm Bracket and Mounting Plate - Portrait (DQT203-W):

(For mounting tablets in a portrait orientation only.)



Device Width Range: 105mm-205mm

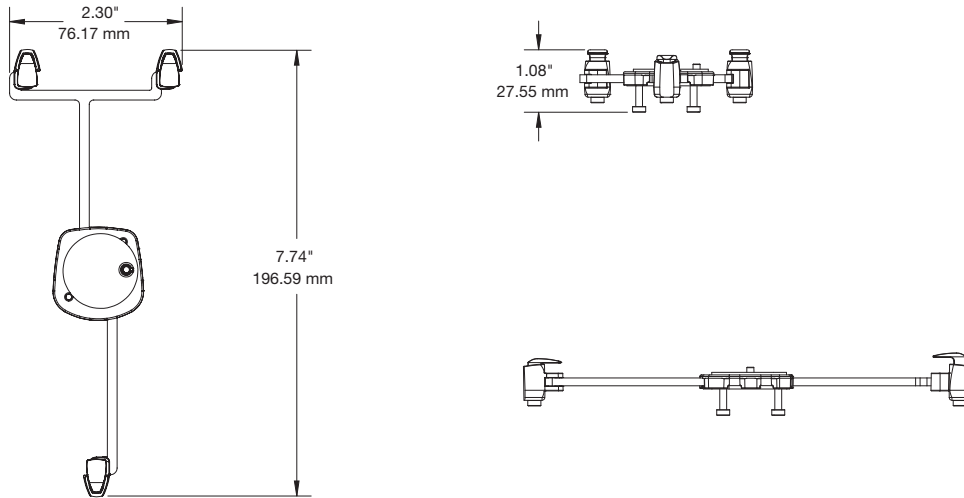
Device Thickness Range: 4.5mm-10.5mm



**SPECIFICATIONS**

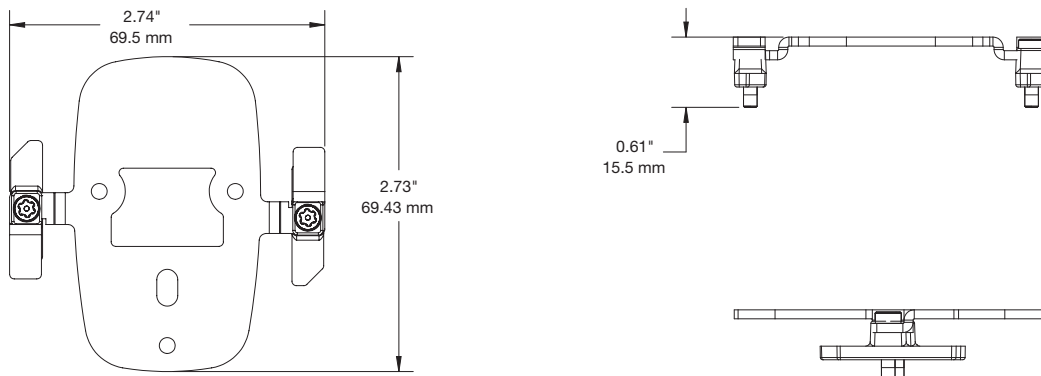
Series 1050 Tablet Viper Arm Bracket and Mounting Plate - Landscape (DQT204-W):

(For mounting tablets in a landscape orientation only.)



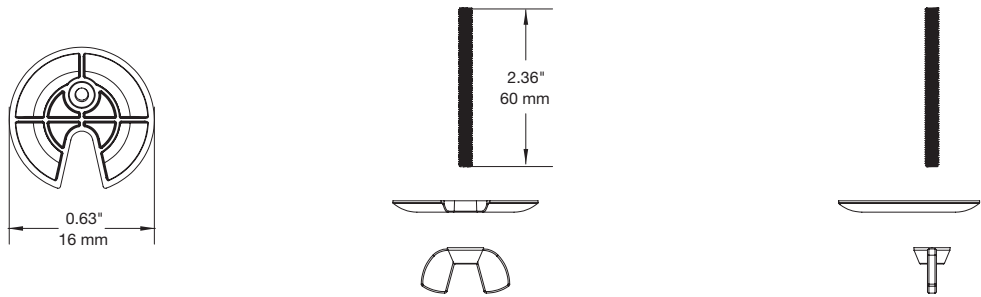
Device Width Range: 118mm-165mm  
Device Thickness Range: 4.5mm-10.5mm

Series 1050 Slot Mount Kit (DQD400):

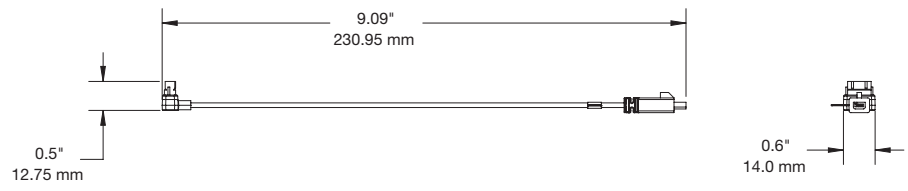


## SPECIFICATIONS

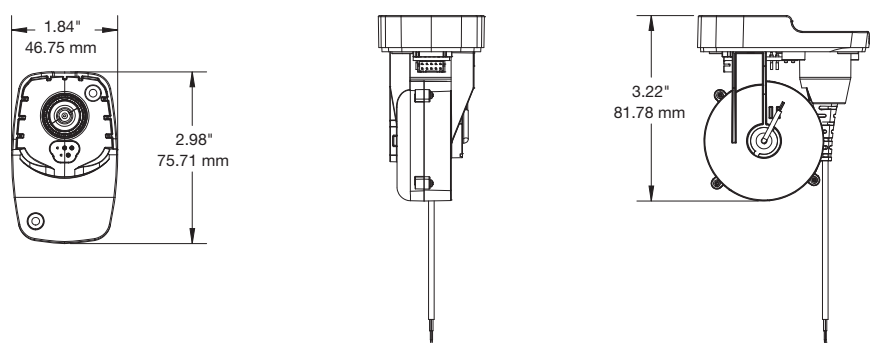
Series 1050 Screw Mount Kit (DQD405):



Digital Signage Trigger/Adapter/CCTV Cable (DQD402-W):



Series 1050 Replacement Recoiler (DQD403-W):



### PRODUCT ORDERING

ORDER CODE	DESCRIPTION	CARTON QTY.
DQD100-W	Series 1050 Flat Stand	32
DQD101-W	Series 1050 Angled Stand	32
DQD102-W	Series 1050 Display Only Stand	32
DQD200-W	Series 1050 Display Only Sensor	32
DQH200-W	Series 1050 Micro USB Handheld Sensor	32
DQH201-W	Series 1050 Apple Lightning Handheld Sensor	32
DQH202-W	Series 1050 USB Type C Handheld Sensor	32
DQT200-W	Series 1050 Tablet Micro-USB Sensor	32
DQT201-W	Series 1050 Tablet Apple Lightning Sensor	32
DQT202-W	Series 1050 Tablet USB Type C Sensor	32
<b>BRACKETS, ACCESSORIES &amp; REPLACEMENT PARTS</b>		
DQH203	Series 1050 Handheld Arm Bracket and Mounting Plate	48
DQT203-W	Series 1050 Tablet Arm Bracket and Mounting Plate - Portrait	48
DQT204-W	Series 1050 Tablet Viper Arm Bracket and Mounting Plate - Landscape	48
DQD400	Series 1050 Slot Mount Kit	48
DQD405	Series 1050 Screw Mount Kit	48
DQD402-W	Digital Signage Trigger/Adapter/CCTV Cable	48
DQD403-W	Series 1050 Replacement Recoiler	32
ADH2047	Series 1050 Sensor Adhesive	20
ADH2091	Series 1050 Stand Adhesive, 20 Pack	20
AHD2096	Series 1050 Sensor Adhesive, 20 Pack	20



### PRODUCT ORDERING

ORDER CODE	DESCRIPTION	CARTON QTY.
<b>POWER SUPPLIES</b>		
PS516-US	5V, 2.3A (5-pin) Power Supply - US	32
PS516-UK	5V, 2.3A (5-pin) Power Supply - UK	
PS516-EU	5V, 2.3A (5-pin) Power Supply - EU	
PS516-JPN	5V, 2.3A (5-pin) Power Supply - JPN	
PS530-US	5V, 3A (5-pin) Power Supply - US	32
PS530-UK	5V, 3A (5-pin) Power Supply - UK	
PS530-EU	5V, 3A (5-pin) Power Supply - EU	
PS530-JPN	5V, 3A (5-pin) Power Supply - JPN	

[invue.com](http://invue.com)

©2018 InVue Security Products. No endorsement of InVue products has been made by any of the manufacturers of the products shown. Product is sold pursuant to InVue's warranty which can be found at [www.invue.com/warranty](http://www.invue.com/warranty).

**THE AMERICAS** 704.752.6513 • 888.55.INVUE  
**EUROPE, MIDDLE EAST & AFRICA** +31.23.8900150  
**ASIA PACIFIC** +852.3127.6811

